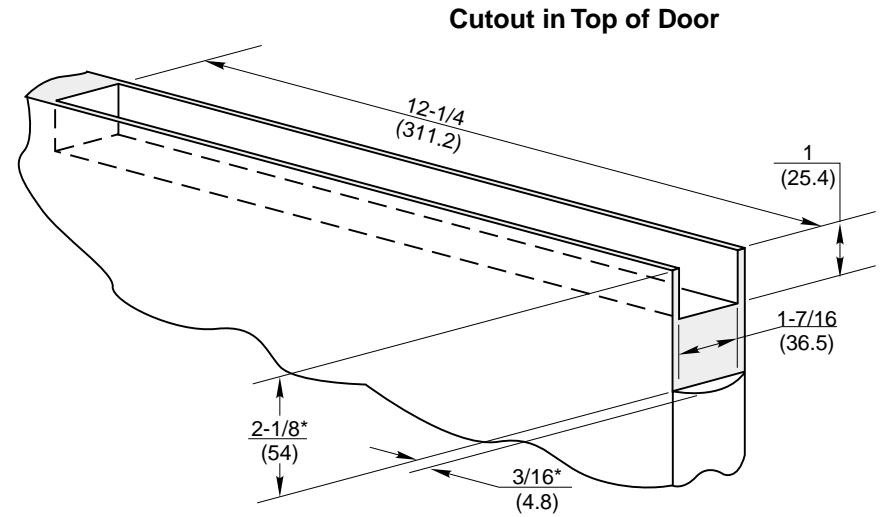
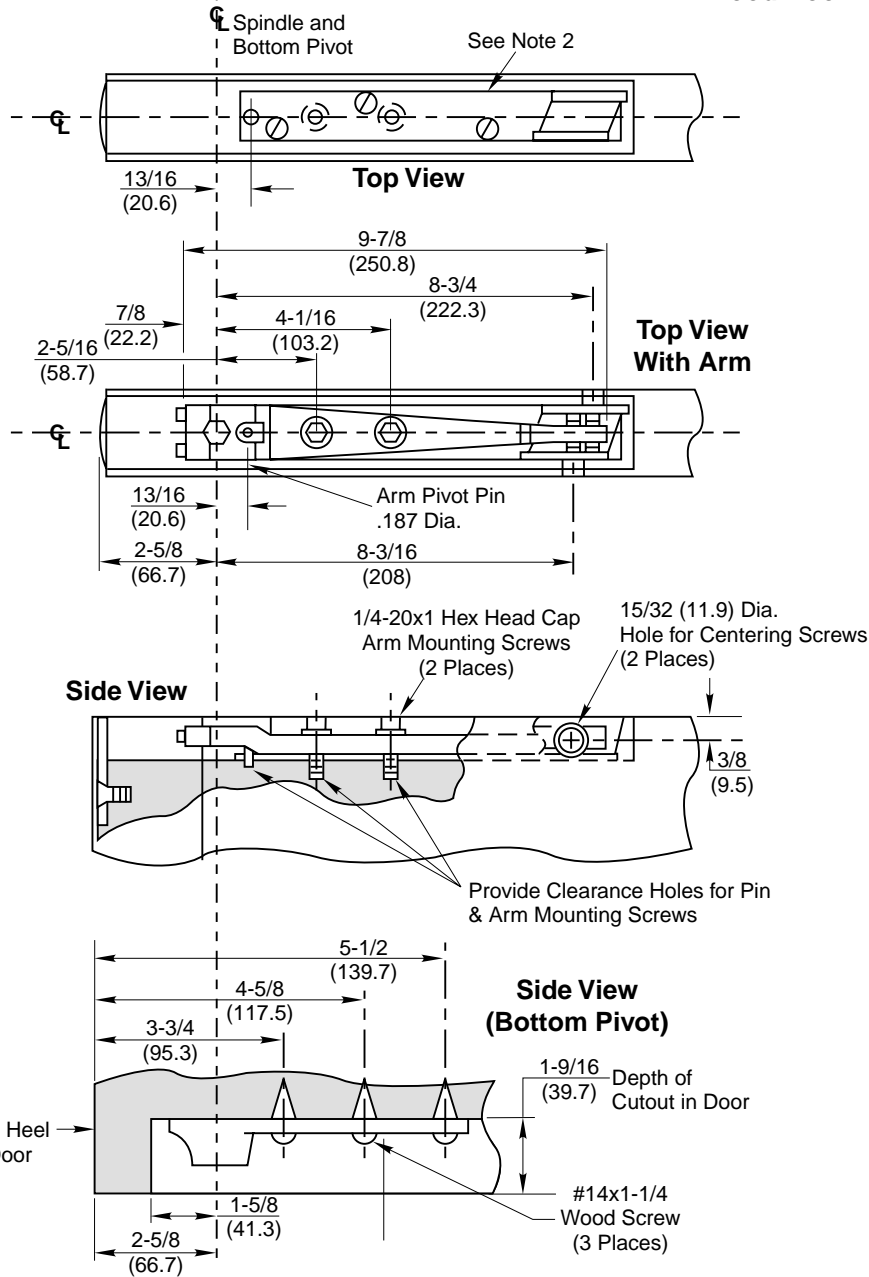


Wood Door Installation



* Mortise only when end cap is specified. See Note 3.

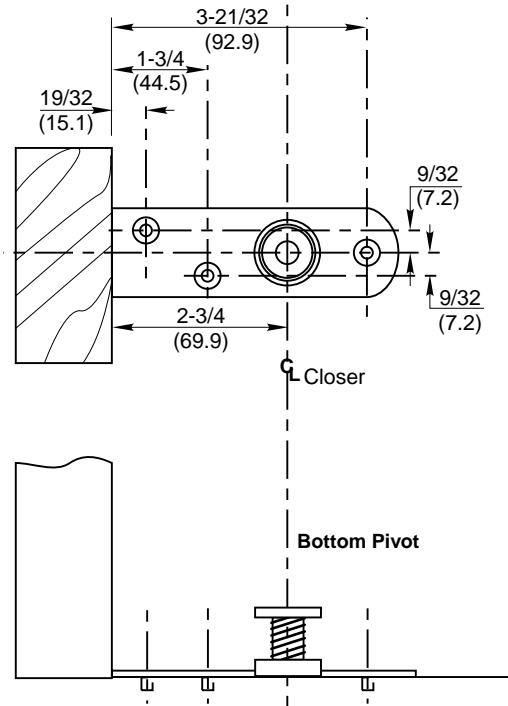
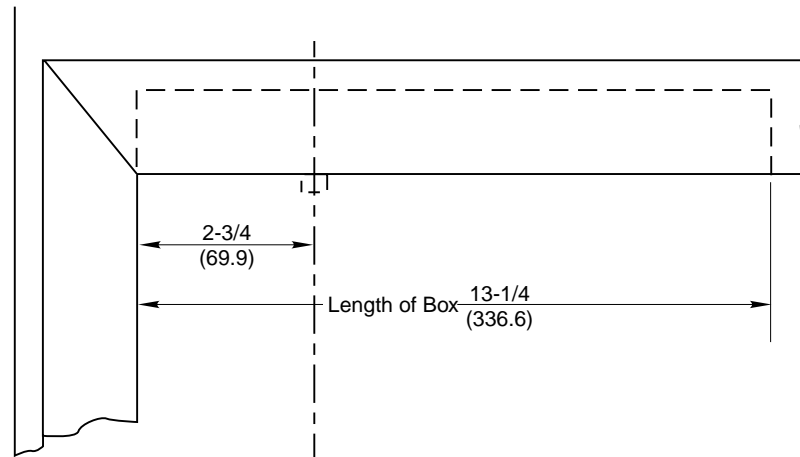
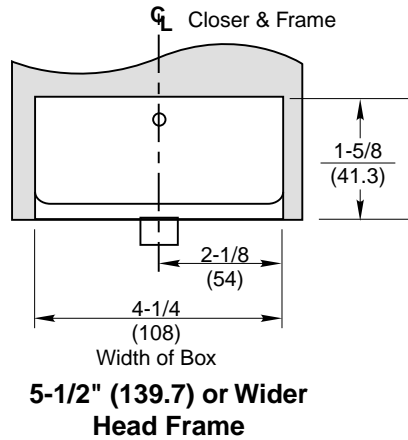
NOTES:

1. Do not scale drawing.
2. Arm plate used with arm on wood doors. Attach with #14x1-1/4" FHWS.
3. No. 199 door end caps optional extra; mortise for top and bottom of door is identical.
4. Door radius recommended is 2-5/8" (66.7).
5. All dimensions given in inches (mm).

W608 Series Overhead Concealed Door Closer Center Pivot

RIXSON™	
Rixson Specialty Door Controls	
www.rixson.com	
TEMPLATE NUMBER	DATE
OC60450A	1-06

WOOD JAMB INSTALLATION



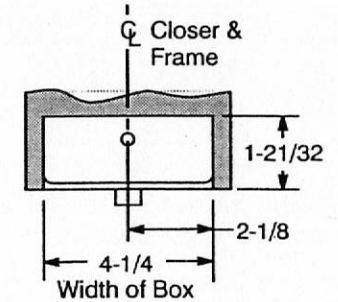
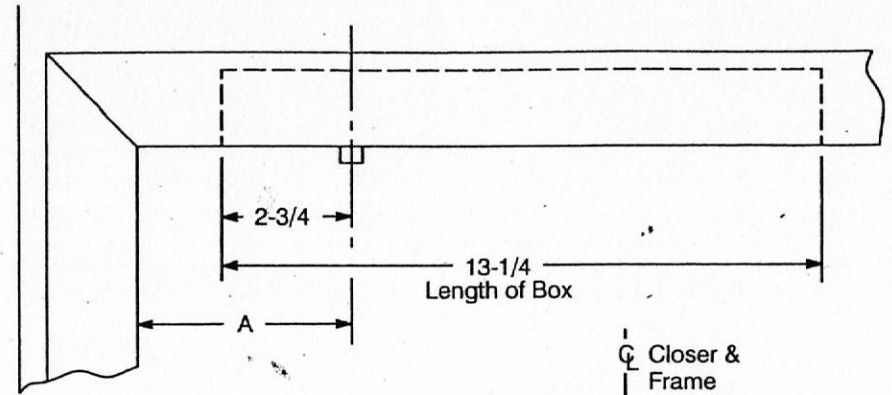
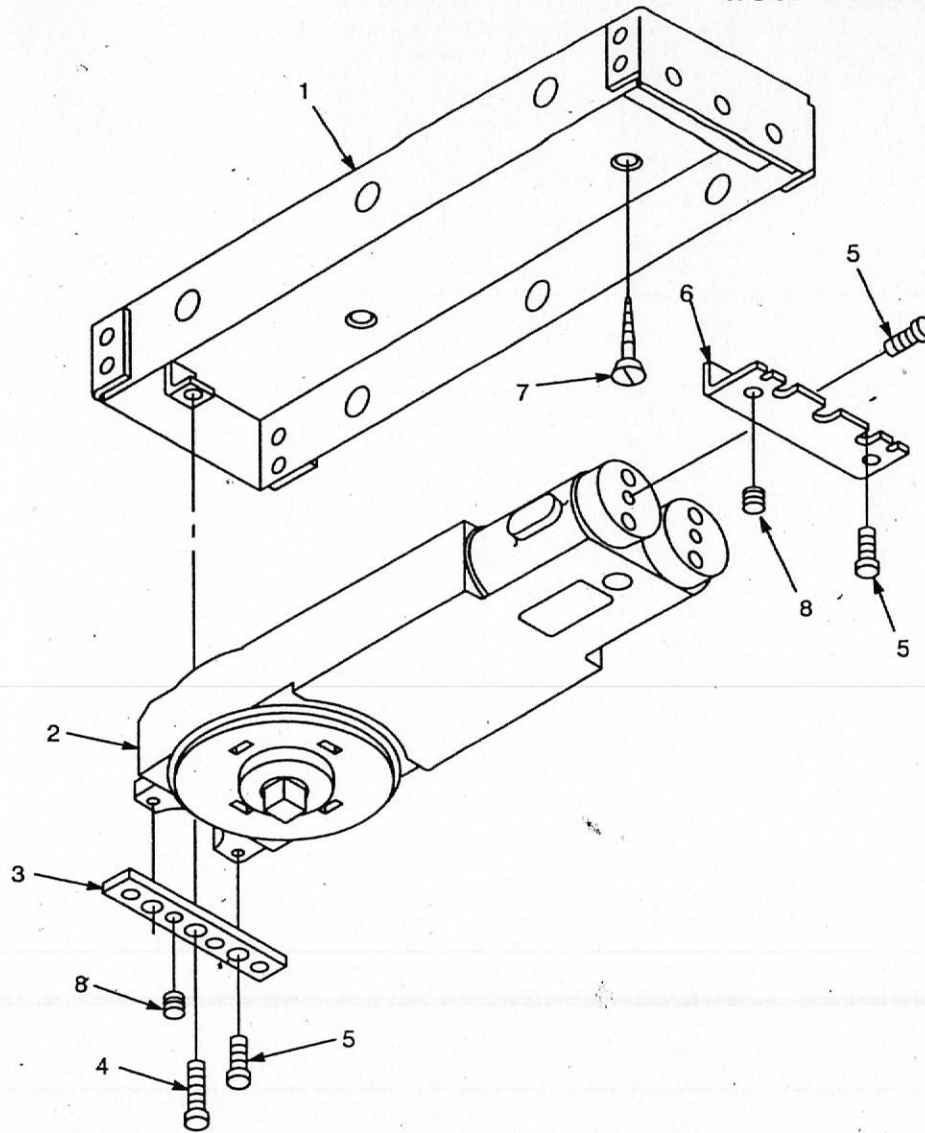
NOTES:

1. Do not scale drawing.
2. Arm plate used with arm on wood doors. Attach with #14 x 1-1/2" FHWS
3. Door radius recommended 2-5/8" (66.7).
4. All dimensions given in inches (mm).

**W608 Series
Overhead Concealed Door Closer
Center Pivot**

RIXSON™	
Rixson Specialty Door Controls	
www.rixson.com	
TEMPLATE NUMBER	DATE
OC60450B	1-06

WOOD JAMB INSTALLATION



Butt Hung	A
105°	4
90°	2-7/8

5-3/8" or Wider Head Frame

Item No.	Part No.	Qty.	Description
1	608049	1	Closer Case
2	6080001 thru 004	1	Closer Body
3	608052	1	Adjustment Plate
4	02244014	1	1/4-20 x 7/8" RHMS
5	02244008	6	1/4-20 x 1/2" RHMS
6	608053	1	Angle Bracket
7	01321424	4	#14 x 1-1/2" FHPWS - SS
8	09544006	4	1/4-20 x 3/8" Socket Set Screw

**W0608 Series
Overhead Concealed Door Closer,
Butt Hung**

RIXSON®
Yale Security Inc.

PO. BOX 25288, CHARLOTTE, NC 28229-8010

TEMPLATE NUMBER
OC60480B

DATE
6-94