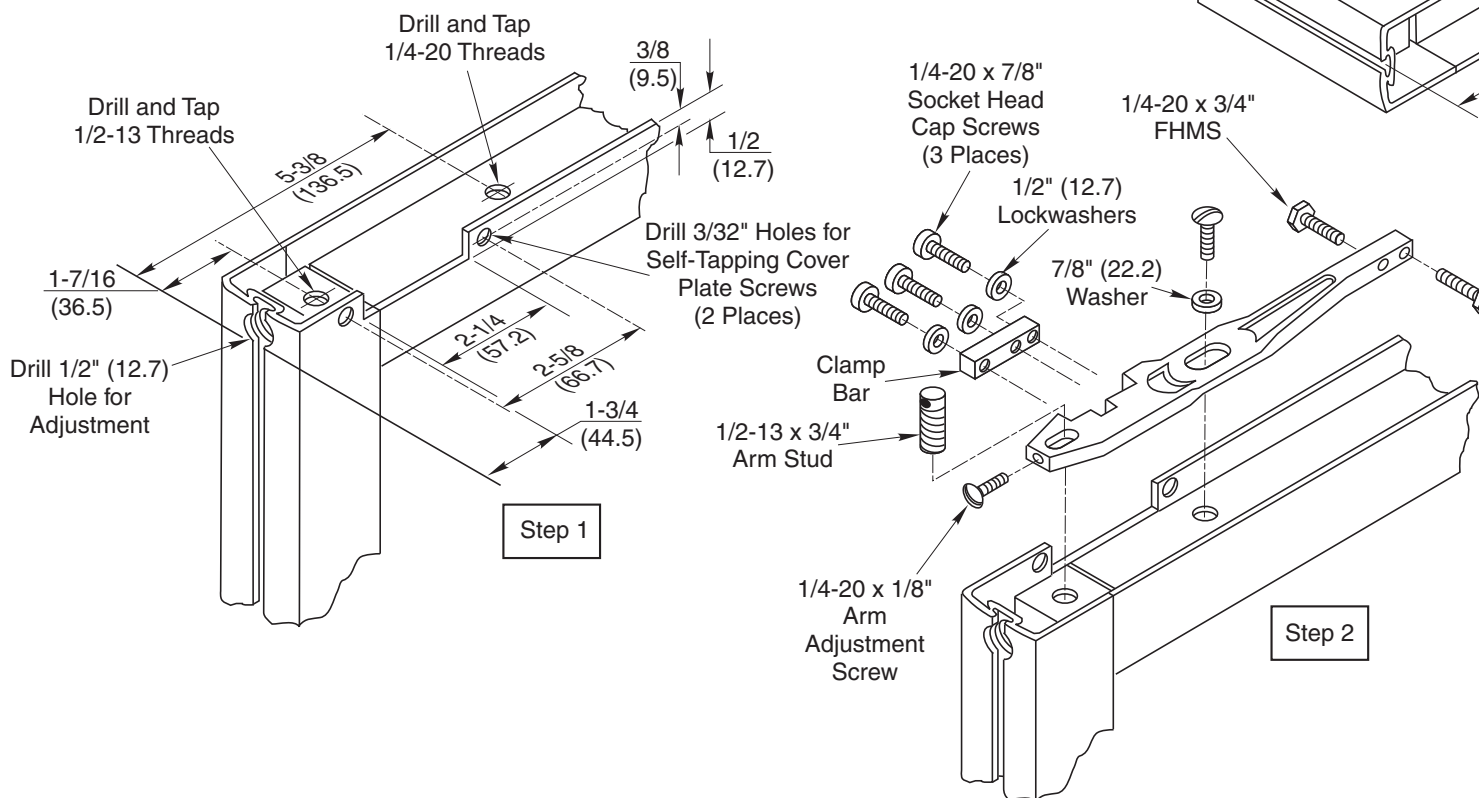


DOOR INSTALLATION

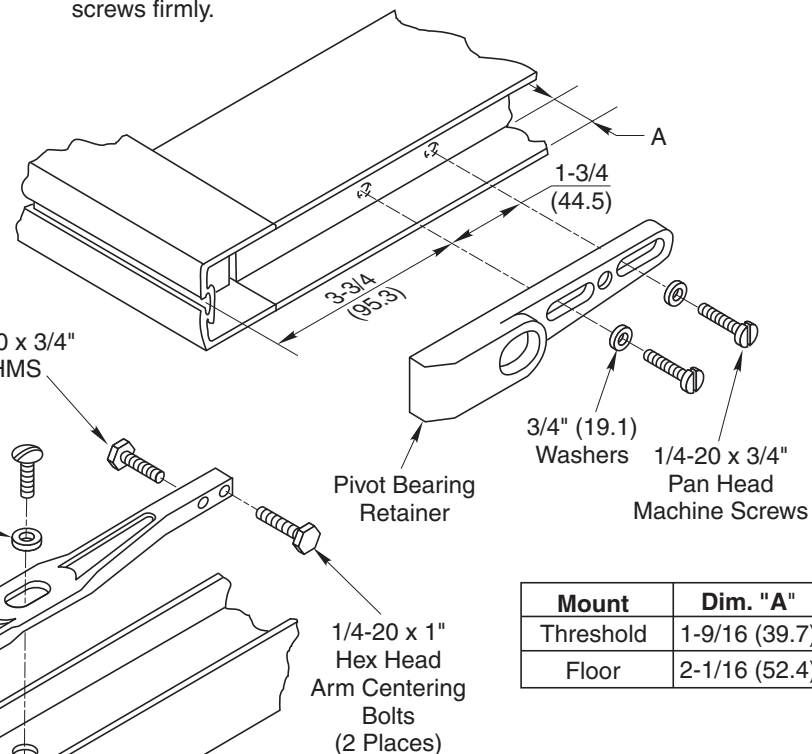
Top Door Rail ("S"Type Side Loading Arm)

- Drill or drill and tap holes in top of door as shown.
- Make a 2-1/4" (57.2) x 1/2" (12.7) cutout in top of door as shown. (See Step 1.) Cutout must be on the inside face of the door.
- After installation of door, attach cover plate with self-tapping screws as provided.
NOTE: Before attaching cover plate, make certain the three(3) 1/4-20 x 7/8" socket head clamp bar cap screws with 1/2" (12.7) lockwashers are tightened securely.
- Install arm (Step 2) using 1/4-20 x 3/4" flat head machine screw and 7/8" (22.2) washer. Install 1/2-13 x 3/4" arm stud and 1/4-20 x 1-1/8" dome head arm adjustment screw.
- Laterally adjust center of the arm spindle retainer 2-5/8" (66.7) from outside edge of door (not including weatherstripping). Center arm in the top rail by adjusting the two(2) 1/4-20 x 1" hex head centering bolts.
- NOTE:** After door is installed, the three(3) 1/4-20 x 7/8" socket head clamp screws with 1/2" (12.7) lockwashers must be tightened securely.



Bottom Door Rail (Side Loading)

- Drill and tap 1/4-20 holes in bottom rail of door as shown. Install pivot bearing retainer in bottom of door using two 1/4-20x3/4" pan head machine screws and lockwashers.
- Laterally adjust center of pivot bearing retainer 2-5/8" (66.7) from outside edge of door (not including weatherstripping) and tighten screws firmly.



Mount	Dim. "A"
Threshold	1-9/16 (39.7)
Floor	2-1/16 (52.4)

Notes:

1. Do not scale drawing.
2. Double or single acting, center hung and side loading.
3. Door radius recommended 2-5/8" (66.7).
4. All dimensions given in inches (mm).

**608 Series Concealed Overhead Door Closers
Double or Single Acting Aluminum Door & Frame
Center Hung, Side Loading**

RIXSON®
ASSA ABLOY

www.rixson.com

TEMPLATE NUMBER

OC60430A

DATE

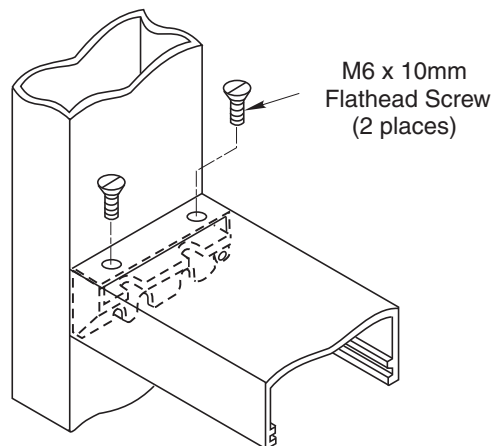
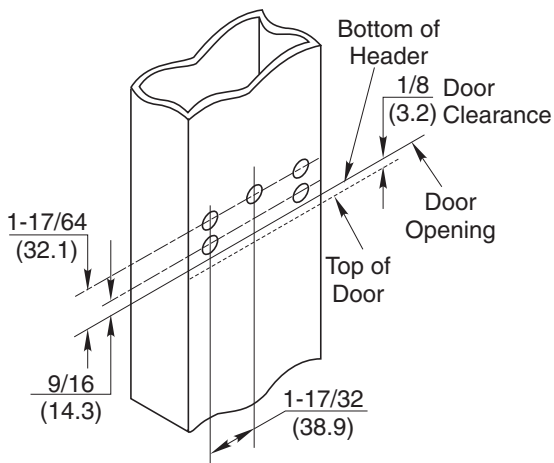
05-09

FRAME INSTALLATION For Aluminum Frames Only

(For Steel Frames See Template No. OC60400 or OC60410)

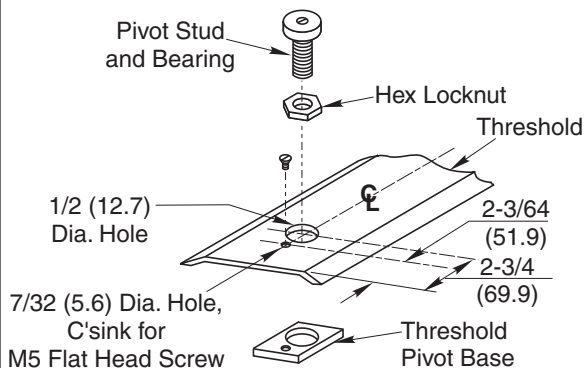
Hinge Jamb

- Drill 5 holes for M5 x 24mm screws as shown.
- Install bracket using M5 screws, lock washers, and nuts.
- Mount door header on bracket using (2) M6 x 10mm flat head screws.



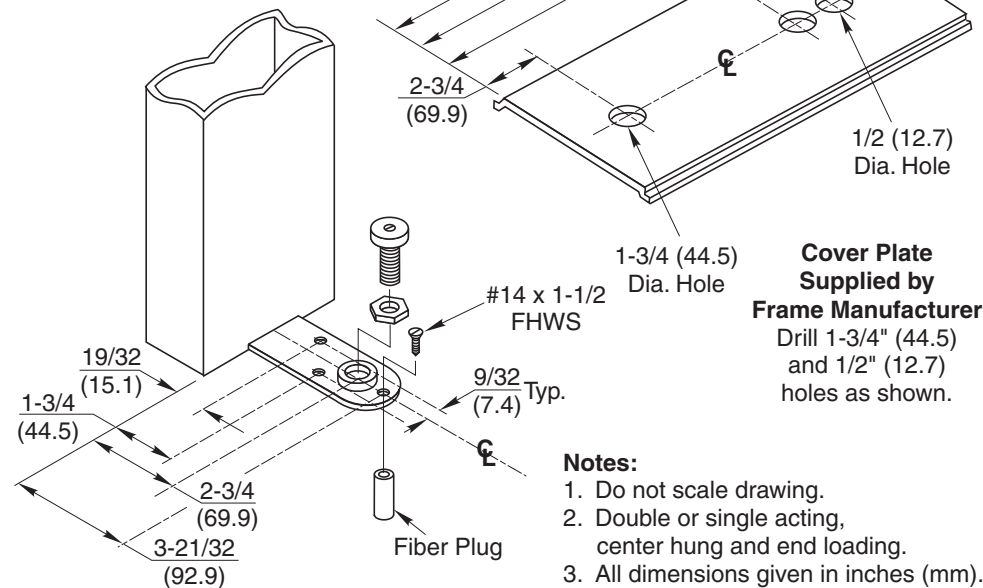
Threshold Mount Pivot

Drill 2 holes in threshold as shown. Install spindle stud and bearing with locknut from top and secure to threshold pivot base underneath. Secure M5 screw thru threshold and into pivot base. Adjust bearing height for proper door clearance and firmly tighten locknut. Cut off any excess thread.



Floor Mount Pivot

- Center pivot base against door jamb on hinge side. Mark and drill 1/4" (6.4) holes 1-1/2" (38.1) deep in floor for fiber plugs.
- Mount base using #14 x 1" fiber plugs and #14 x 1-1/2" flat head wood screws.
- Install pivot stud and bearing with hex locknut as shown and adjust bearing height for proper door clearance and firmly tighten locknut.
- When using threshold, drill 1" (25.4) hole for clearance of pivot base on centerline 2-3/4" (69.9) from hinge end of threshold.



Notes:

1. Do not scale drawing.
2. Double or single acting, center hung and end loading.
3. All dimensions given in inches (mm).

608 Series Concealed Overhead Door Closers
Double or Single Acting for Aluminum Doors & Frames
Center Hung, Side Loading

RIXSON®

ASSA ABLOY

www.rixson.com

TEMPLATE NUMBER

OC60430B

DATE

05-09