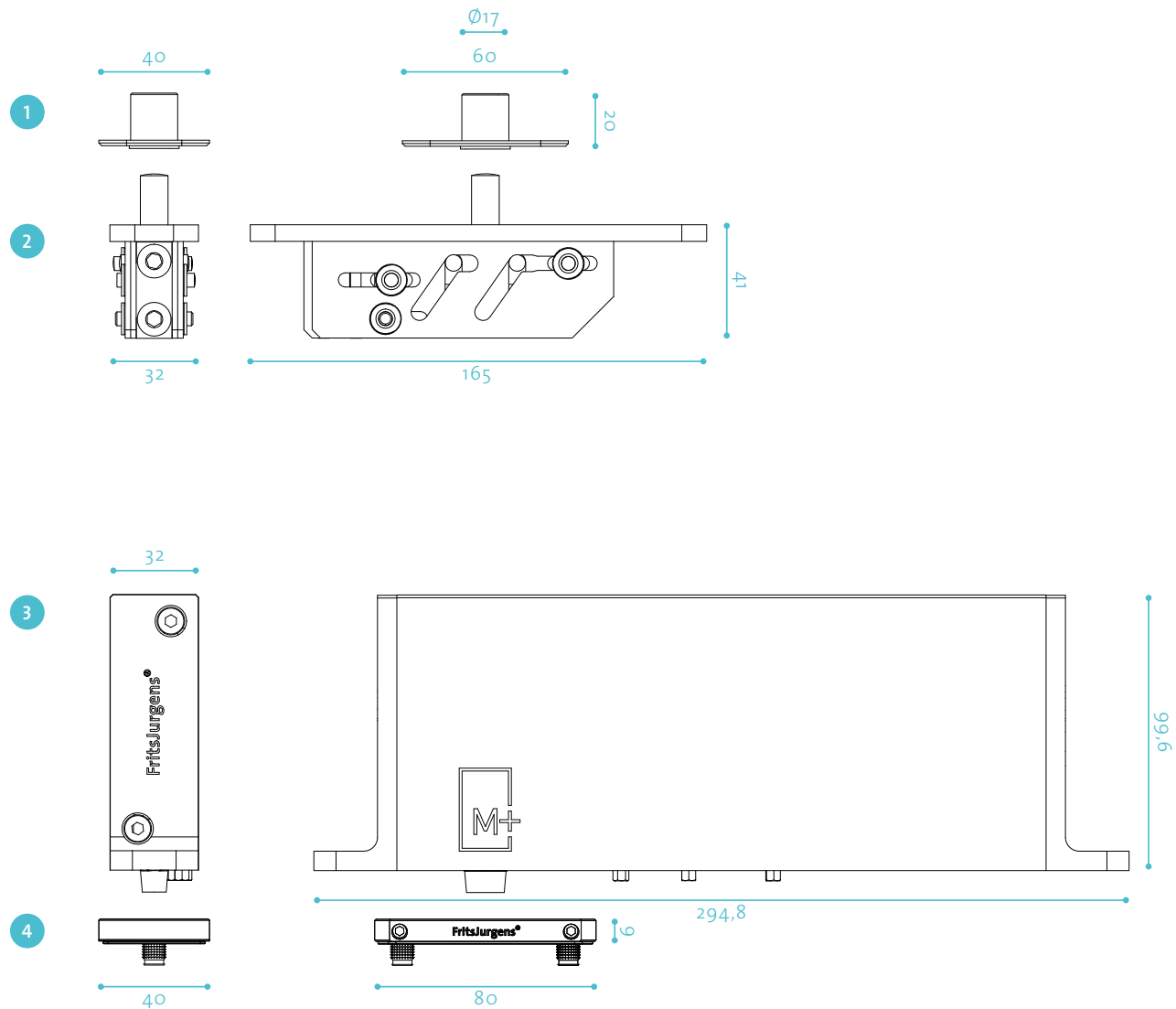


TECHNICAL DRAWING SYSTEM M32+

1. Ceiling plate (300352)
60 x 40 x 17 mm
2. Top pivot (200201)
165 x 32 x 41 mm
3. System M32+ (100532)
294,8 x 32 x 99,6 mm
4. Square floor plate (400711)
80 x 40 x 9 mm

Optional:

Round floor plate (400411)
Ø80 x 9 mm



Downloads

[System M32+ 2D drawing](#)

[System M32+ 3D drawing](#)

[System M32+ BIM model](#)