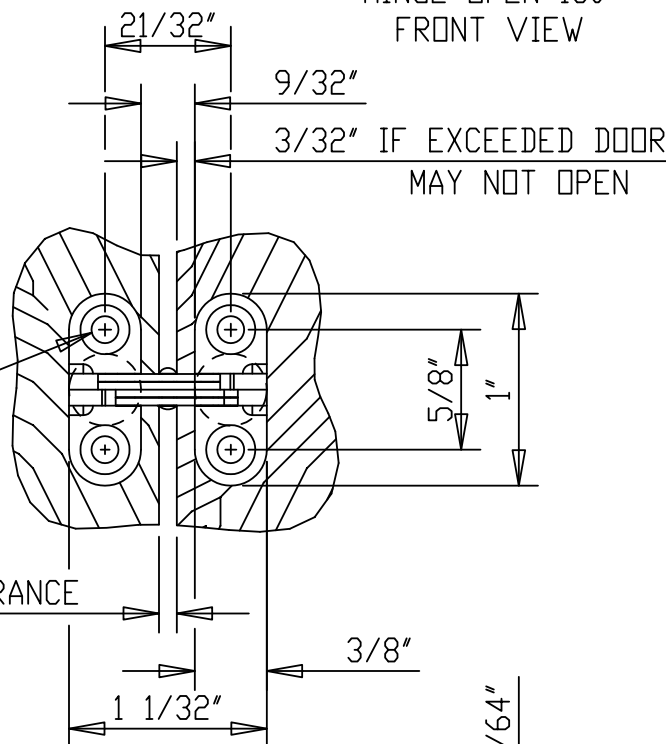


HINGE OPEN 180°  
ISOMETRIC VIEW

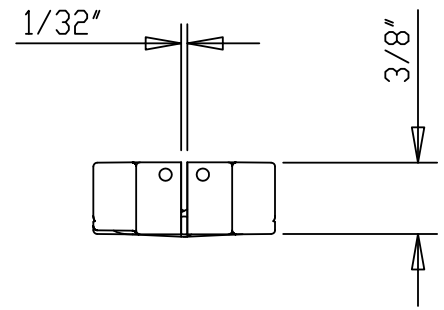
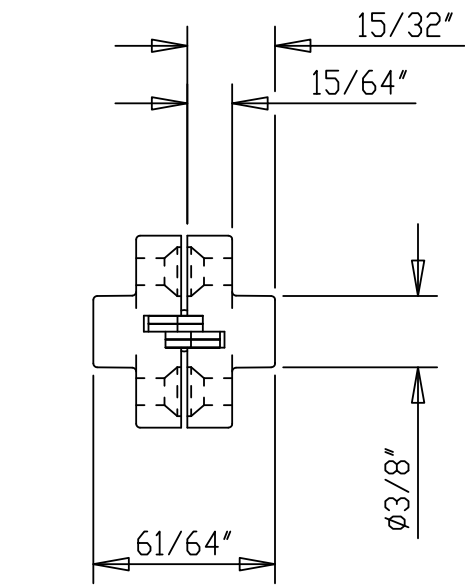
.140" DIA WITH  
.256" DIA x 82° C'SINK

3/32" DOOR CLEARANCE

HINGE OPEN 180°  
FRONT VIEW

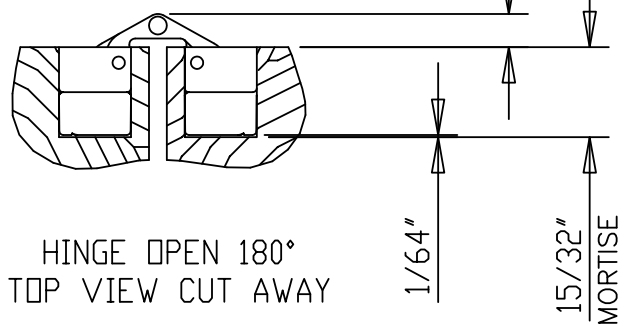


HINGE CLOSED  
FRONT VIEW CUT AWAY




HINGE CLOSED  
TOP VIEW CUT AWAY

HINGE OPEN 180°  
TOP VIEW CUT AWAY



SUPPLIED:  
WOOD SCREW  
#5 x 3/4"  
SPECIAL ORDER:  
MACH. SCREW  
#4-40 x 1/2"

MIN. MATERIAL THICKNESS IS 1/2"  
DO NOT SCALE DRAWING  
ALL DIMENSIONS ARE IN INCH  
DOOR CLEARANCE REDUCES TO 1/64" WHILE CLOSING  
SEE DWG# 4477-C IF ADDING MATERIAL TO DOOR FACE AND/OR FRAME FACE

 ©Copyright 2008 Universal Industrial Products, Inc. One Coreway Drive Pioneer, Ohio 43554-0628	SCALE: 1 = 1
	DRAWN BY: LHH
HINGE TEMPLATE	DATE: 5/01/11
#100 SOSS INVISIBLE HINGE	DRAWING # 100