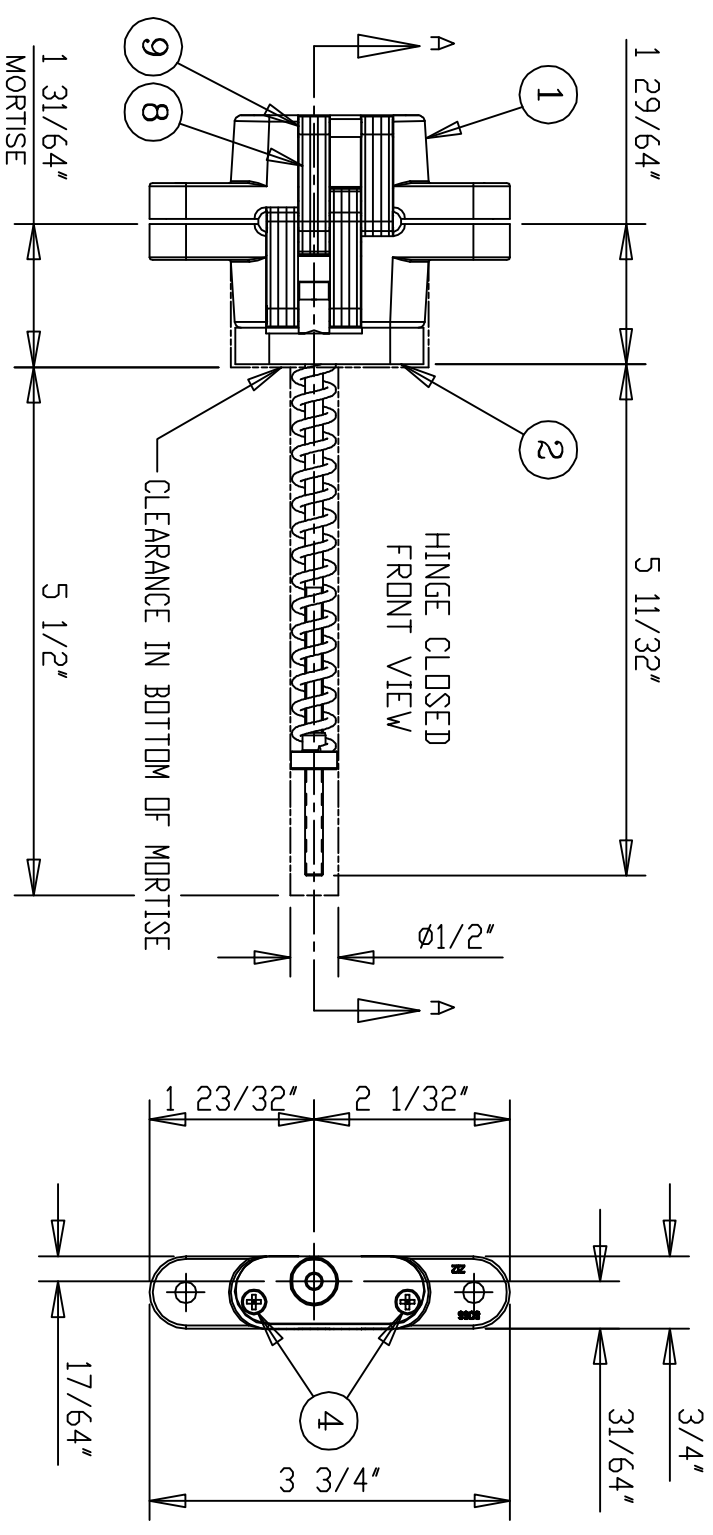


HINGE OPEN 180°

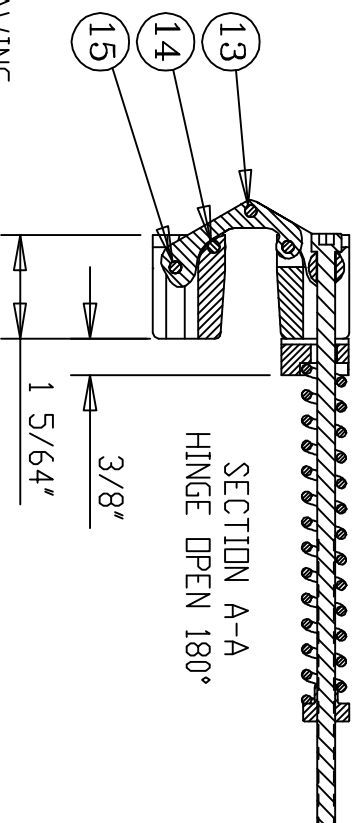



NO.	QTY.	PART NAME	MATERIAL
1	2	HINGE BODY	ZAMAK NO.3
2	1	BACK PLATE	STEEL
3	1	SLIDE	STEEL
4	2	FLAT HEAD SCREW	STEEL
5	1	SPRING	STEEL
6	1	CAP SCREW	STEEL
7	1	RETAINER	STEEL
8	12	LINK	STEEL
9	8	LINK	NYLON 6/6
10	2	SHORT ROLLER	STEEL
11	2	LONG ROLLER	STEEL
12	1	SPACER	STEEL
13	1	RIVET PIN	STEEL
14	2	LONG PIN	STEEL
15	1	CHANNEL PIN	STEEL

SUPPLIED:

WOOD SCREW #10 x 1-1/4"  
 MACHINE SCREW #10-24 x 3/4"

DO NOT SCALE DRAWING  
 ALL DIMENSIONS ARE IN INCH  
 MIN. MATERIAL THICKNESS IS 1-1/8"  
 FOR BODY DIMENSIONS SEE #212 HINGE TEMPLATE DRAWING



REV	DATE	DESCRIPTION	BY
		 Copyright Universal Industrial Products, Inc. One Coreway Drive Pioneer, Ohio 43554-0628	
		SCALE: 1/2 = 1	
		DRAWN BY: LHH	
		DATE: 12/11/18	
		SELF-CLOSING HINGE TEMPLATE	
		#212IC SELF-CLOSING	DRAWING # 212
		SSSS INVISIBLE HINGE	IC