


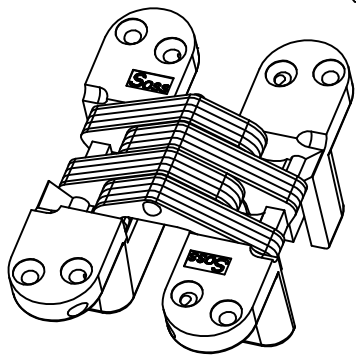
SUPPLIED:
WOOD SCREW
#12 x 1-1/2"

DO NOT SCALE DRAWING
ALL DIMENSIONS ARE IN INCH
MIN. WOOD THICKNESS IS 2"
FOR BODY DIMENSIONS SEE #220 HINGE TEMPLATE DRAWING

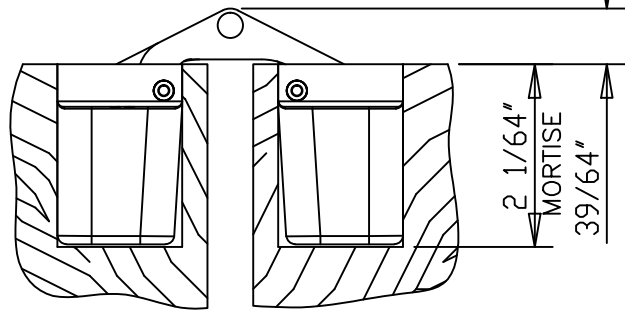
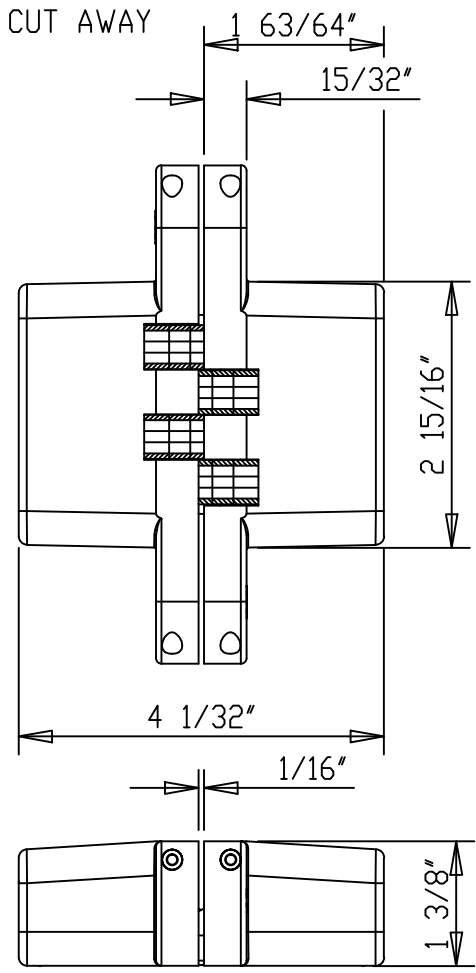
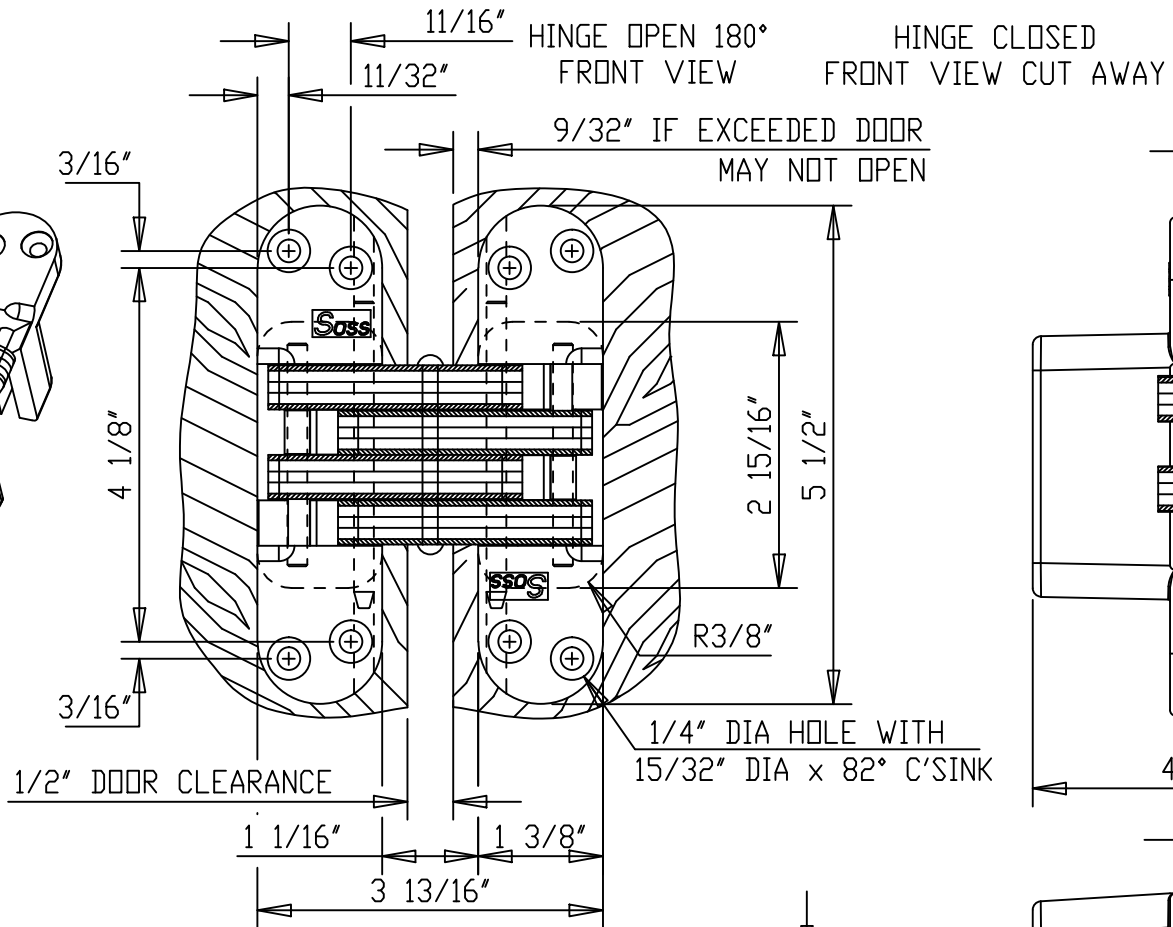
1 63/64"

3/8"

 ©Copyright 2008 Universal Industrial Products, Inc. One Coreway Drive Pioneer, Ohio 43554-0628	SCALE: 1/2 = 1
	DRAWN BY: LHH
SELF-CLOSING HINGE TEMPLATE	DATE: 5/07/15
#220IC SELF-CLOSING SQSS INVISIBLE HINGE	DRAWING # 220IC SELF-CLOSING



HINGE OPEN 180°
ISOMETRIC VIEW




HINGE CLOSED
TOP VIEW CUT AWAY

- SUPPLIED:
WOOD SCREW
#12 x 1-1/2"
SPECIAL ORDER:
MACH. SCREW
#12-24 x 1"

HINGE OPEN 180°
TOP VIEW CUT AWAY

MIN. MATERIAL THICKNESS IS 2"
DO NOT SCALE DRAWING
ALL DIMENSIONS ARE IN INCH
DOOR CLEARANCE REDUCES TO 1/64" WHILE CLOSING
SEE DWG# 4477-C IF ADDING MATERIAL TO DOOR FACE AND/OR FRAME FACE

 Copyright 2008 Universal Industrial Products, Inc. One Coreway Drive Pioneer, Ohio 43554-0628	SCALE: 1/2 = 1
	DRAWN BY: LHH
HINGE TEMPLATE	DATE: 5/01/11
#220 SOSS INVISIBLE HINGE	DRAWING # 220