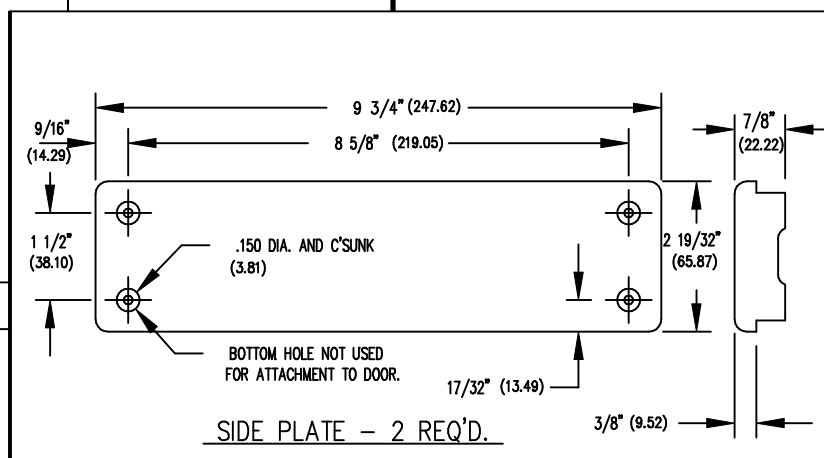
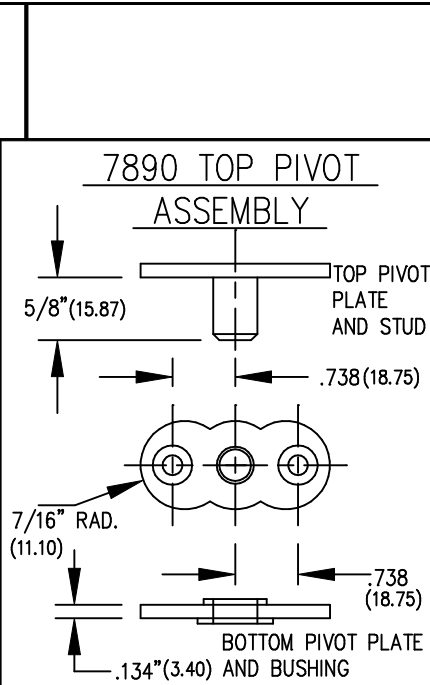
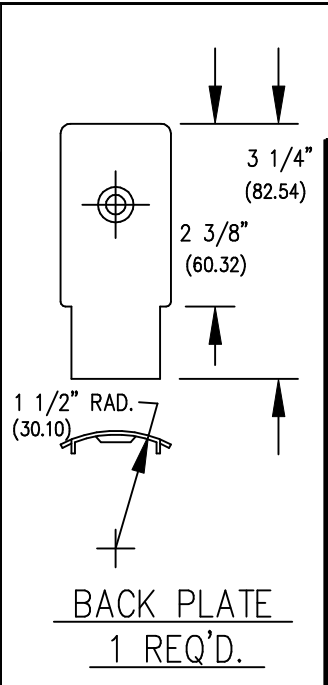
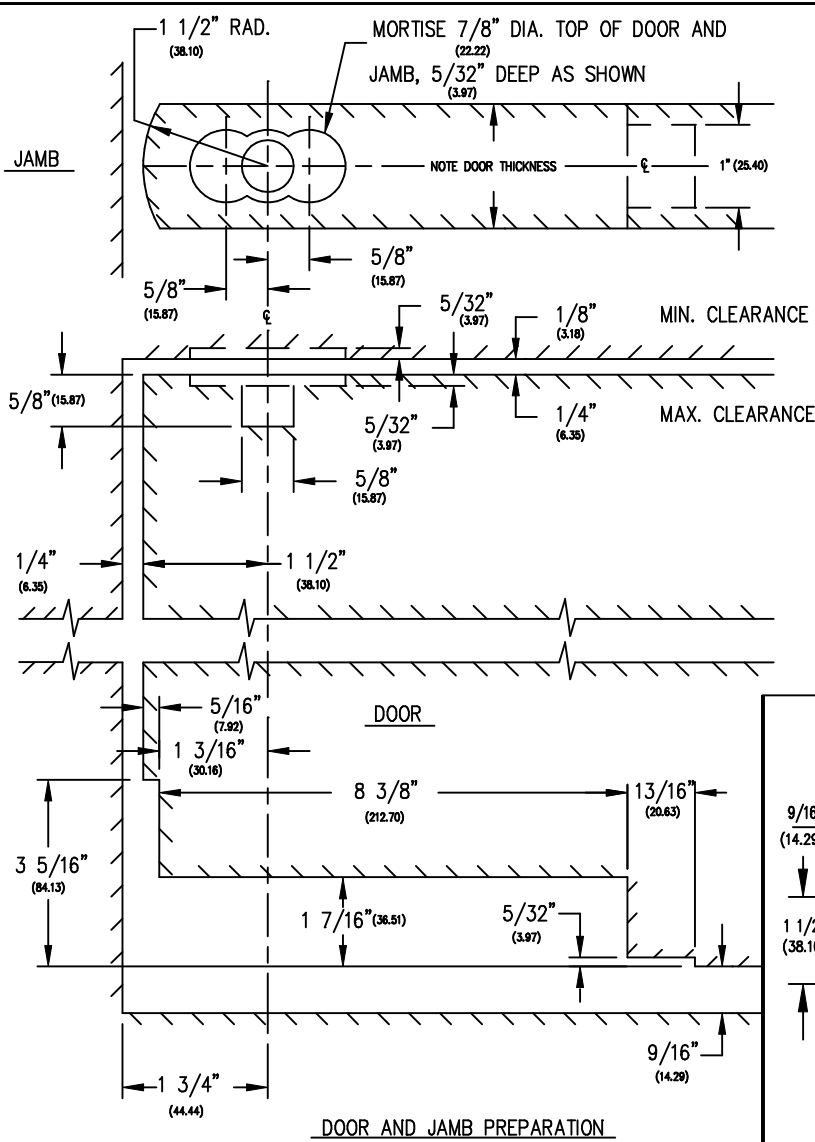
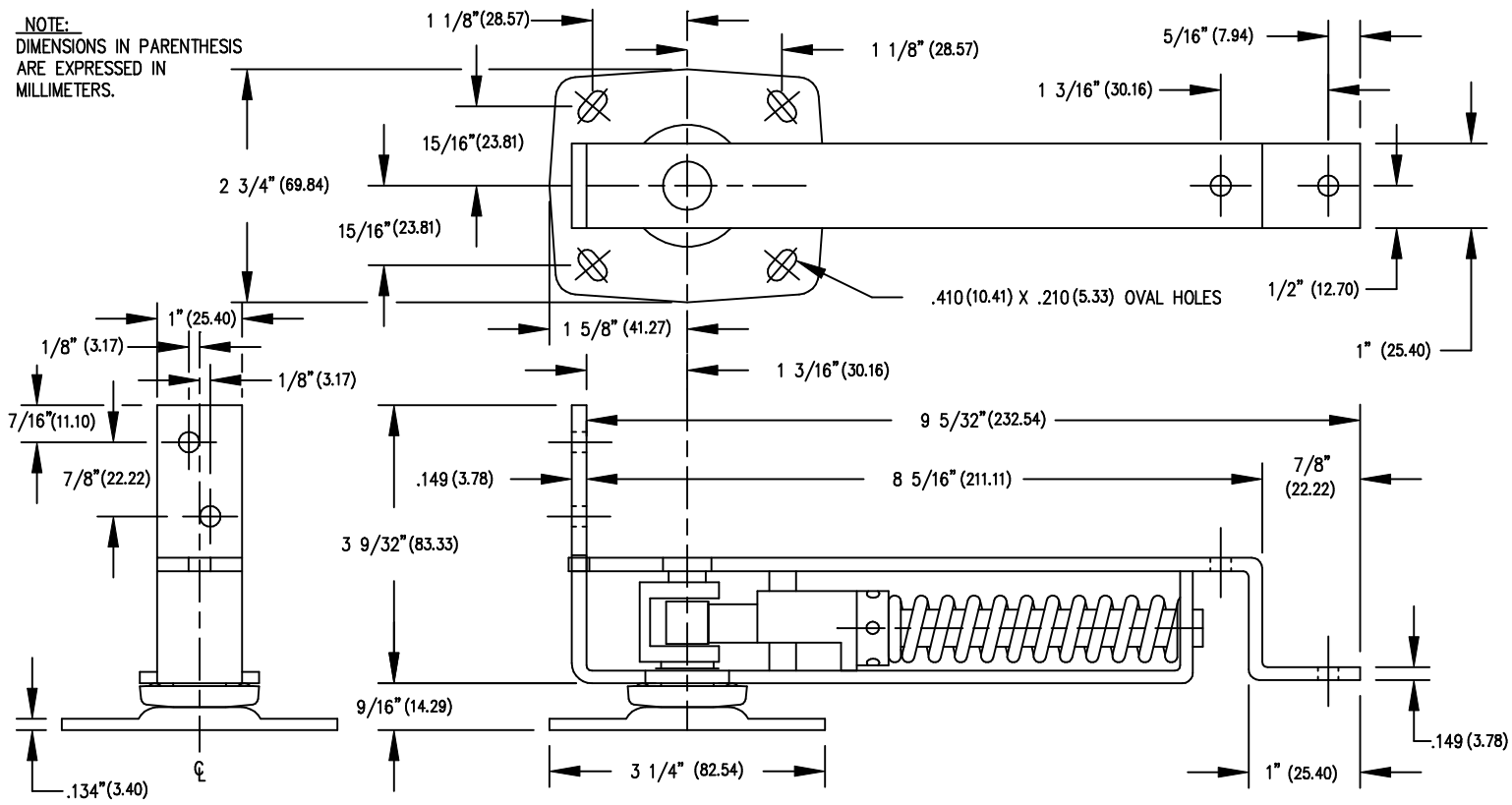


NOTE:
DIMENSIONS IN PARENTHESIS
ARE EXPRESSED IN
MILLIMETERS.



ITEM	SCREWS
FRAME	(4) #10 X 1 1/4" P.H.W.S
FLOOR PLATE	(4) #10 X 1 1/4" P.H.W.S
SIDE PLATE	(6) #6 X 3/4" F.H.W.S
BACK PLATE	(1) #10-24 X 1/2" F.H.M.S
TOP PIVOT	(4) #10 X 1" F.H.W.S

NOTE
DOOR THICKNESS
1 3/8" TO 1 3/4"

BOMMER IND. INC. LANDRUM, S.C.				
TYPE : HORIZONTAL SPRING PIVOT DOUBLE ACTING				
PART NO.: 7811 AND 7821				
Drawn by : JACKSON	DATE	SCALE	DRAWING NUMBER	REV.
Approved by :	15 MAY 98	N.T.S.	7811TEMP	B