



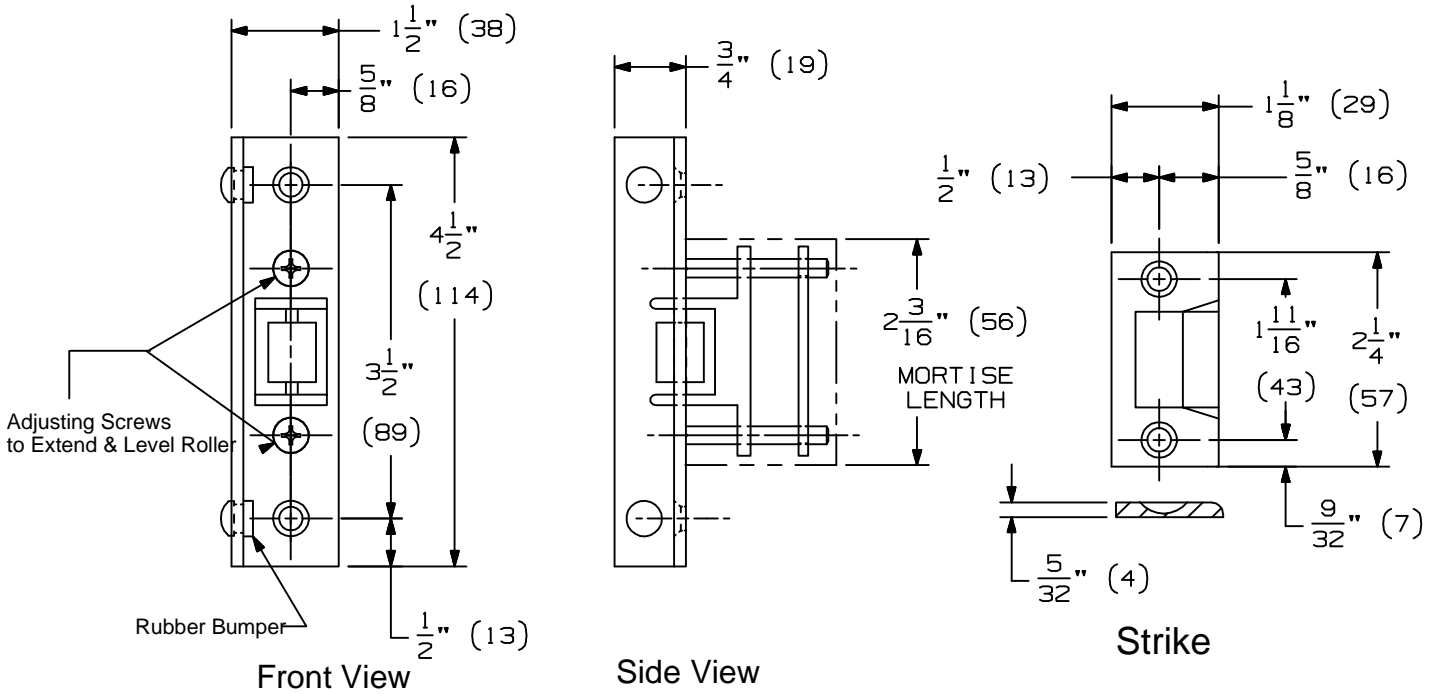
Brookline Industries
 1624 South Clinton Street
 Chicago, IL 60616 USA
<http://brooklineind.com>

TEMPLATE NUMBER:

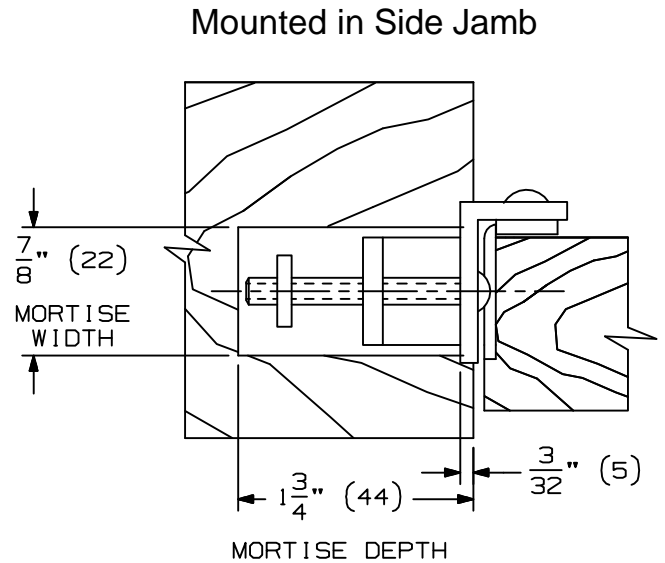
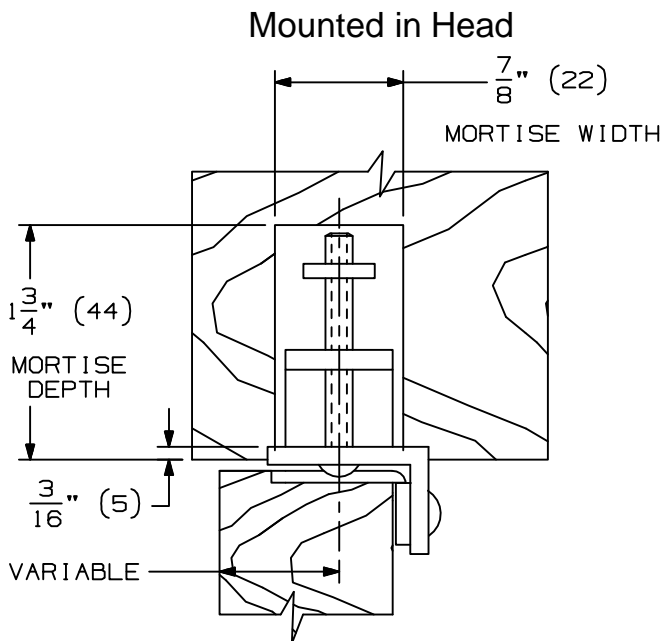
T-1347 Rev1

DATE: 01-01-00

1347 Angle Stop With Roller Latch



BROOKLINE 1347 Angle Stop With Roller Latch



Installation Notes:

For Hollow Metal Doors a $\frac{3}{16}''$ (5) Reinforcement Plate is Required

NOTE: DIMENSIONS IN () ARE MILLIMETERS.

	QTY	SCREW DETAILS
LATCH	2	10 X 1 1/2" FPHSMS
STRIKE	2	8 X 1" FPHSMS