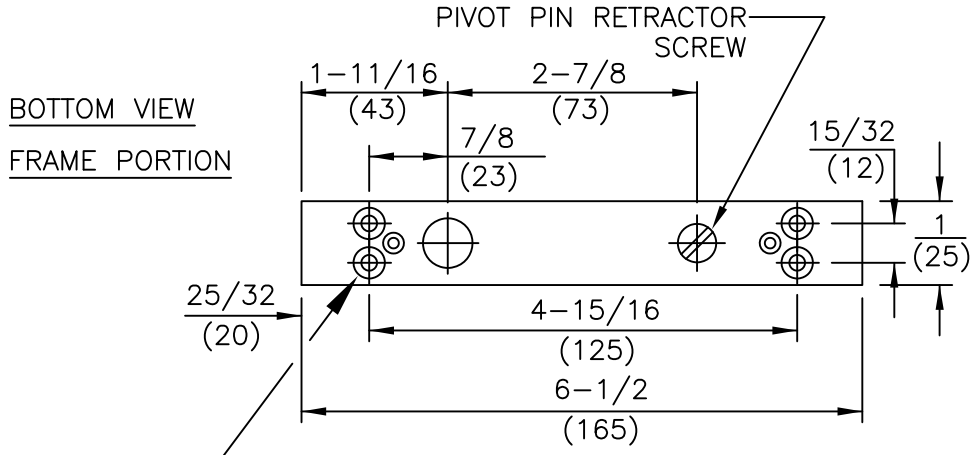


NOTES

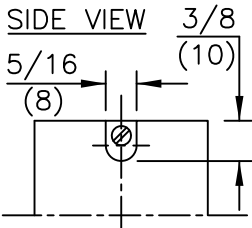
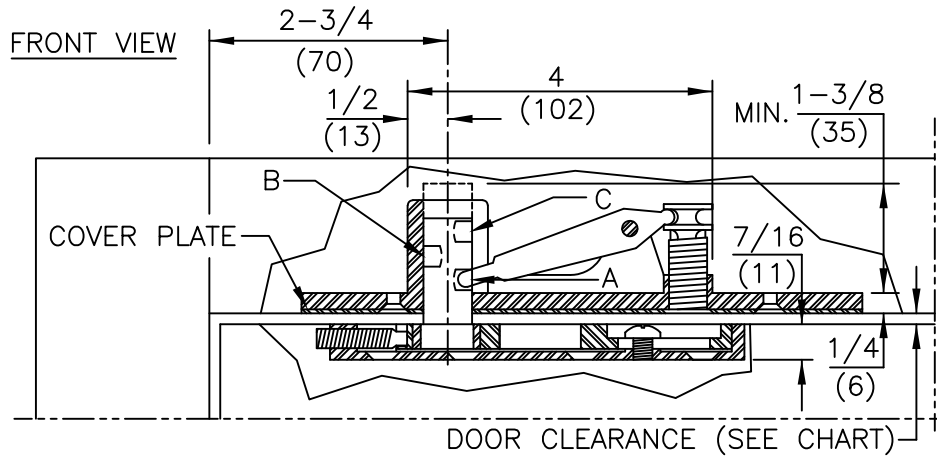
1. DO NOT SCALE DRAWING.
2. DIMENSIONS ARE IN INCHES/(MM).
3. ALL NECESSARY REINFORCING FOR PIVOTS BY OTHERS.
4. PIVOT PIN DIAMETER .591/(15MM).
5. PIVOT PIN PROJECTION IS ADJUSTABLE. SEE CHART FOR DOOR CLEARANCES.

DOOR CLEARANCE

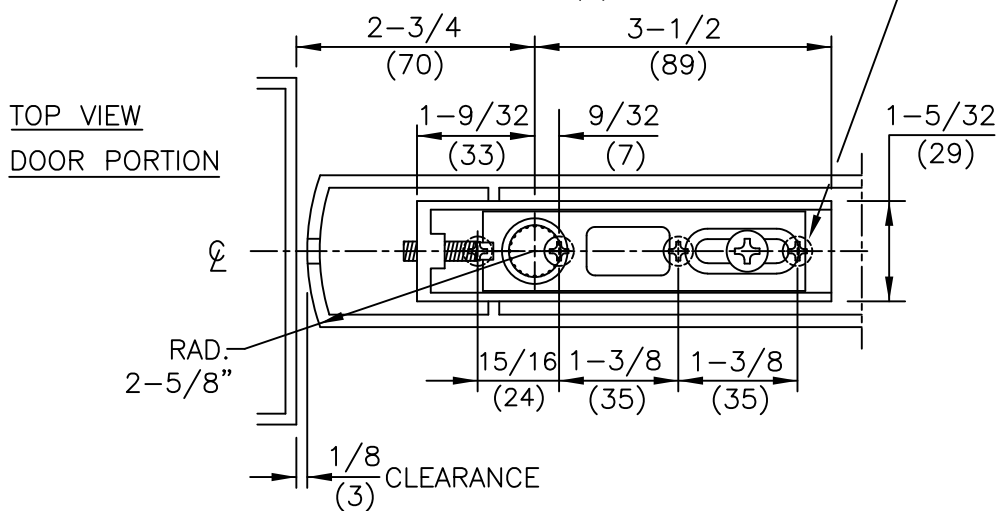
POSITION	STANDARD PIN	EXTENDED PIN
A	1/8"(3)	3/4"(19)
B	3/8"(10)	1"(25)
C	3/4"(19)	1-5/16"(33)



FOR 10-32 MACHINE SCREWS USE No.21 DRILL
 FOR WOOD SCREWS USE No.29 DRILL
 FOUR (4) HOLES FOR MOUNTING PIVOT

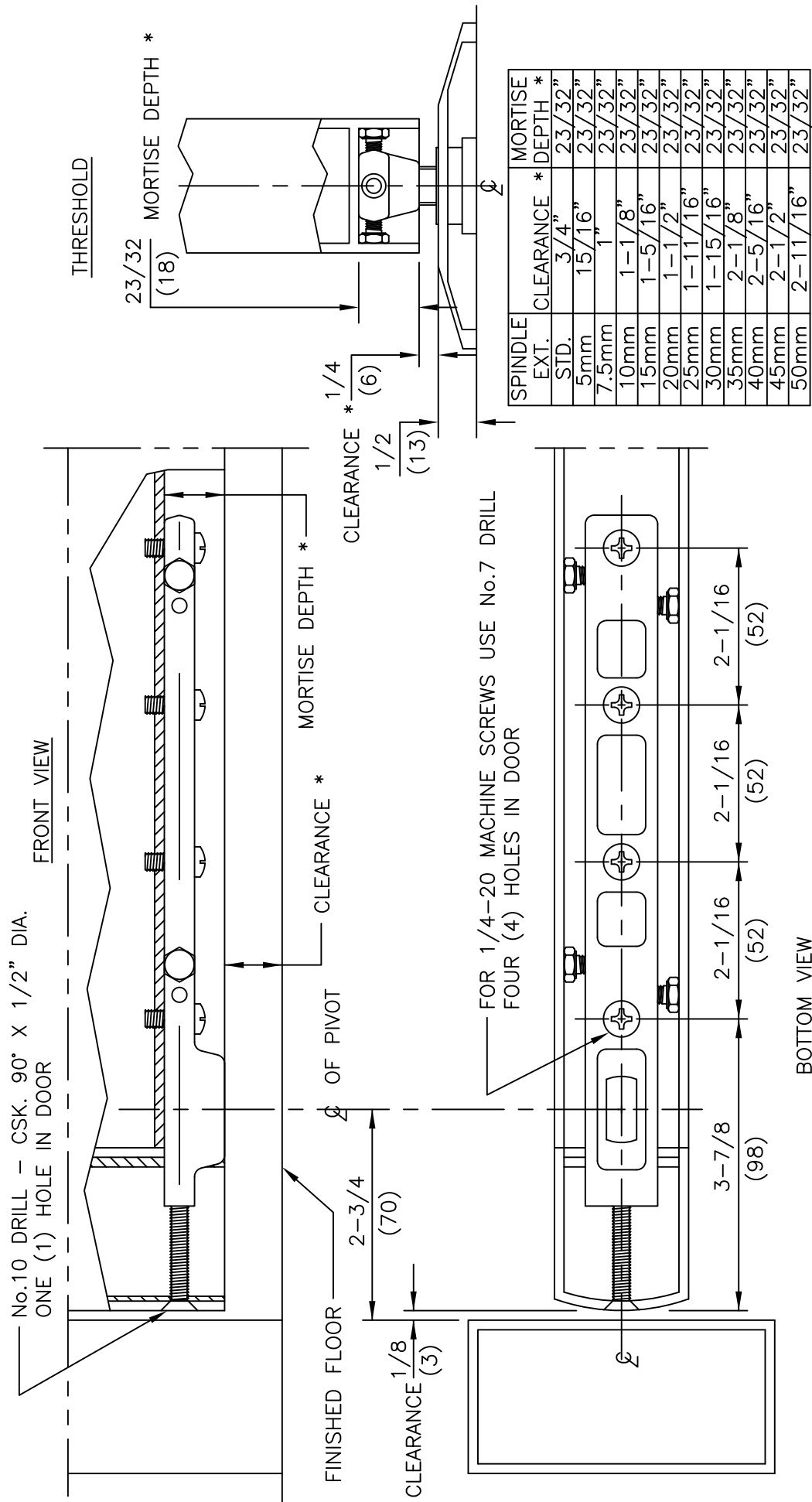


FOR 10-32 MACHINE SCREWS USE No.21 DRILL
 FOR WOOD SCREWS USE No.29 DRILL
 FOUR (4) HOLES IN DOOR



NOTES

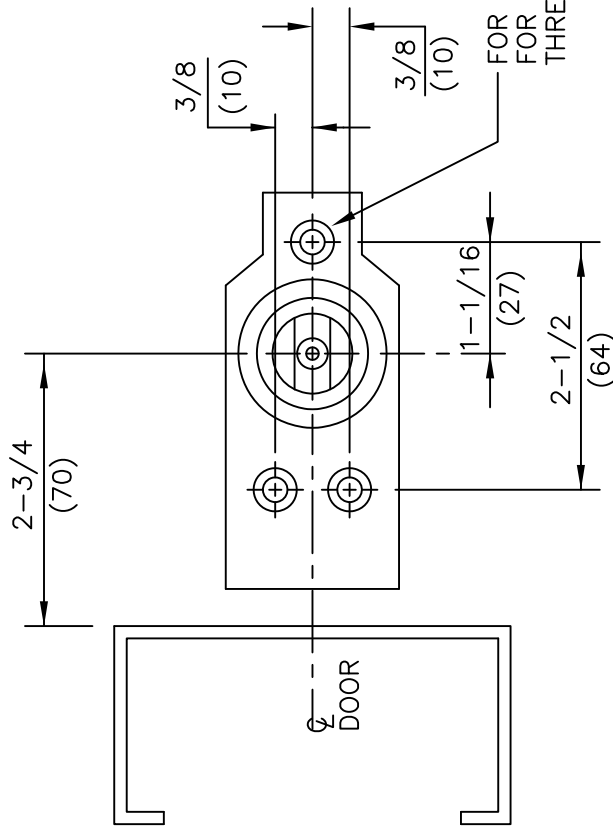
1. DO NOT SCALE DRAWING.
2. DIMENSIONS ARE IN INCHES/(MM).
3. ALL NECESSARY REINFORCEMENT FOR ARM BY OTHERS.



ITEM No. 7422
 CENTER HUNG BOTTOM ARM
 ALUMINUM DOOR
 FOR USE WITH 7471K FLOOR BEARING



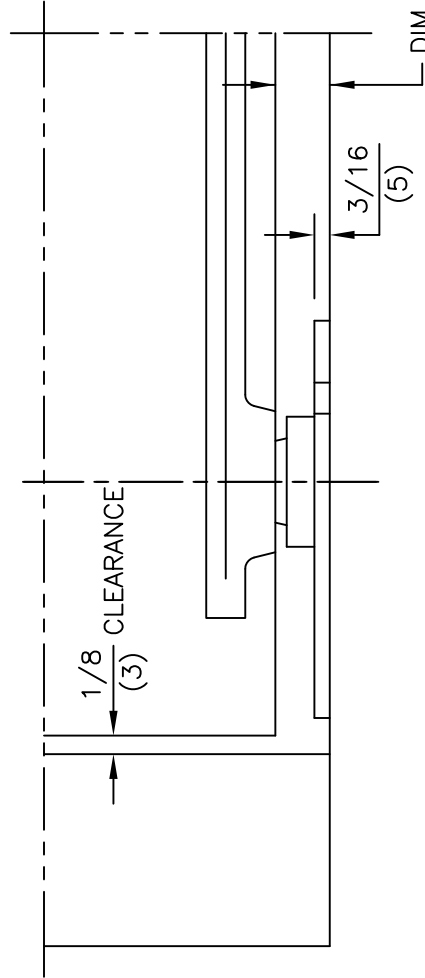
dormakaba USA, INC.
 800 523 8483



FOR WOOD FLOORS USE 1/8" DRILL
FOR CONCRETE FLOORS USE 1/4" DRILL 1" DEEP
THREE (3) HOLES

NOTES:

1. DO NOT SCALE DRAWING.
2. DIMENSIONS ARE IN INCHES\MM.
3. DIMENSION "A" IS DISTANCE FROM BOTTOM OF PIVOT TO BOTTOM OF ARM. WHEN BOTTOM ARM IS INSTALLED TO THE STANDARD TEMPLATE, THIS IS ALSO EQUAL TO THE BOTTOM DOOR CLEARANCE.



SEE NOTE #3

SPINDLE SIZE	DIM. "A"
STD.	11/16 (17)
5mm	7/8 (22)
10mm	1-1/16 (27)
15mm	1-1/4 (32)
20mm	1-7/16 (37)
25mm	1-5/8 (42)
30mm	1-7/8 (47)
35mm	2-1/16 (52)
40mm	2-1/4 (57)
45mm	2-7/16 (62)