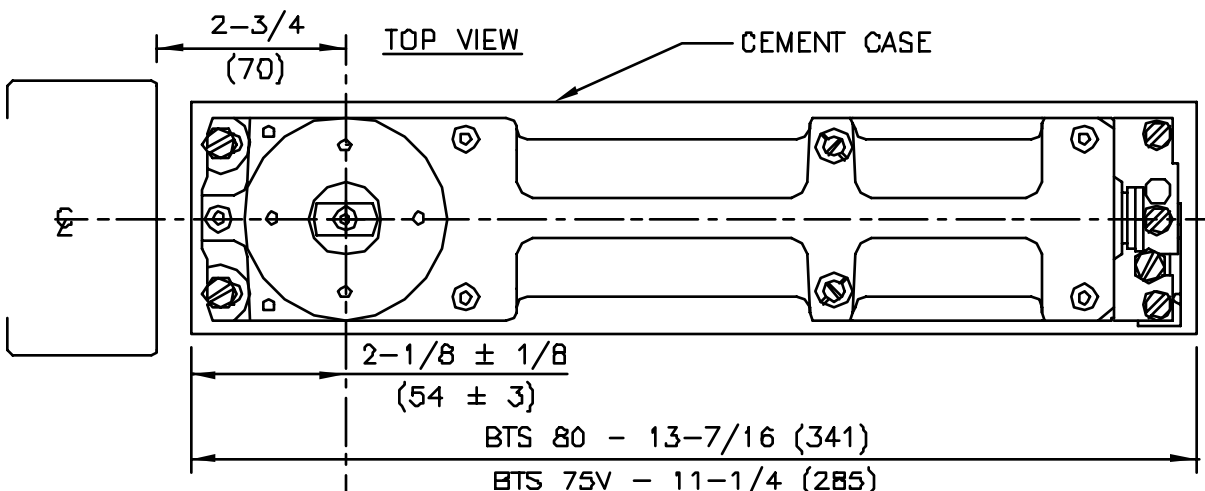
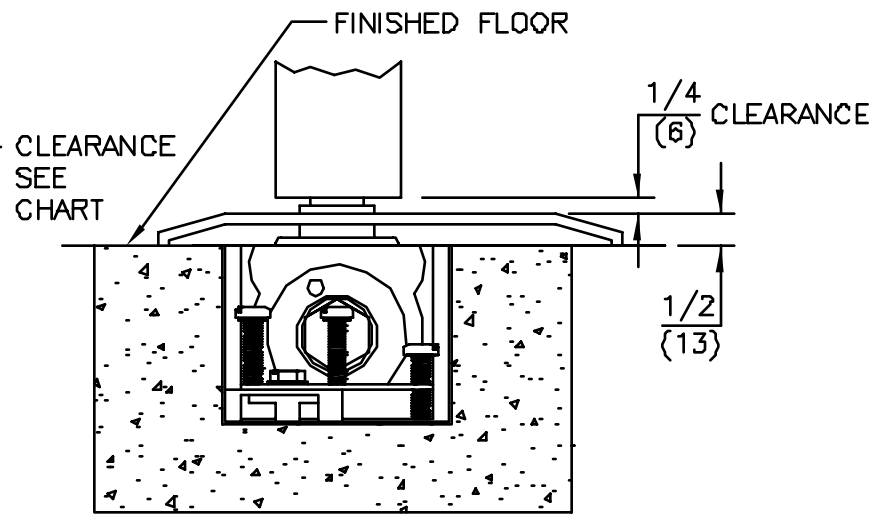
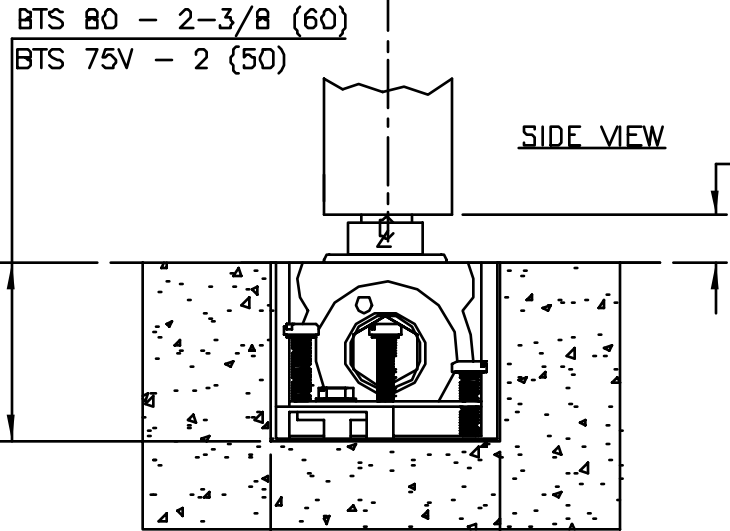


No.	REVISIONS	DATE



- NOTES**
1. DO NOT SCALE DRAWING.
 2. DIMENSIONS ARE IN INCHES/(mm).
 3. TOP OF CEMENT CASE MUST BE FLUSH WITH FINISH FLOOR LINE.
 4. CEMENT CASE MUST BE LEVEL AND PARALLEL TO FRAME.
 5. INSTALL CEMENT CASE WITH CLOSER CENTERED IN CASE.
 6. CHART VALID ONLY WHEN CORRESPONDING DOOR PORTION IS INSTALLED PER TEMPLATE.



SPINDLE NO.	CLEARANCE
74003	5/16"
74005	1/2"
74007	5/8"
(STD.)74010	3/4"
74012	13/16"
74015	7/8"
74020	1-1/8"
74025	1-5/16"
74030	1-1/2"
74035	1-11/16"
74040	1-7/8"
74045	2-1/16"
74050	2-5/16"

BTS 80 - 3-1/8 (78)

BTS 75V - 3-1/4 (82)

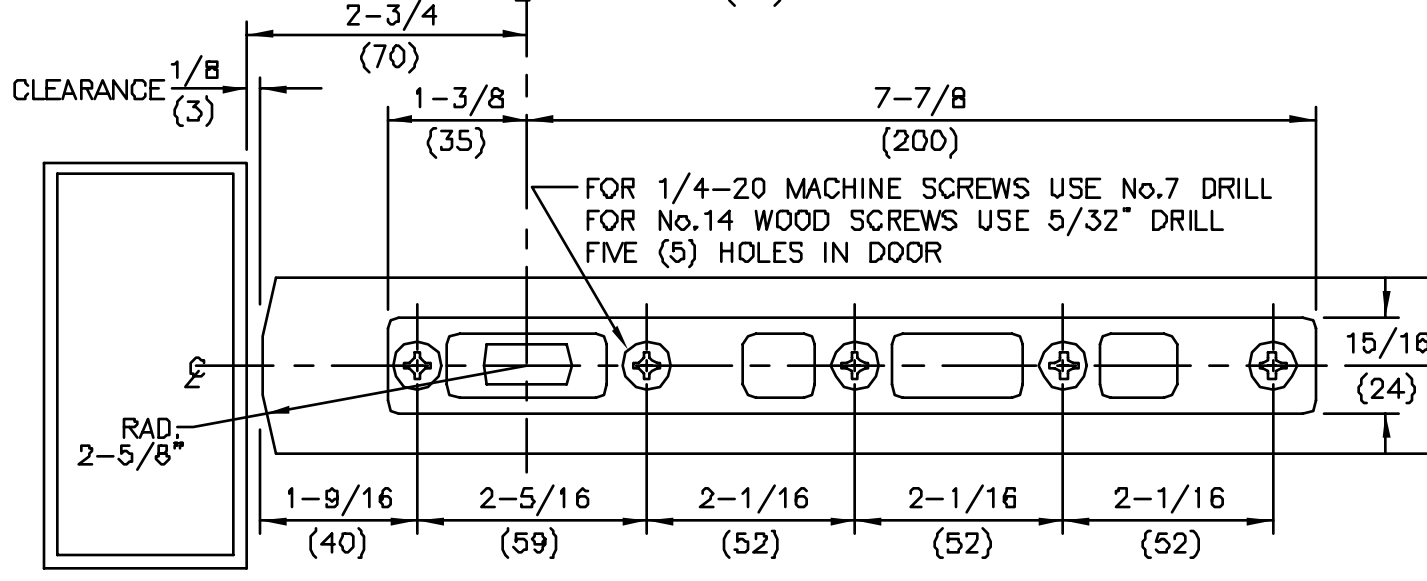
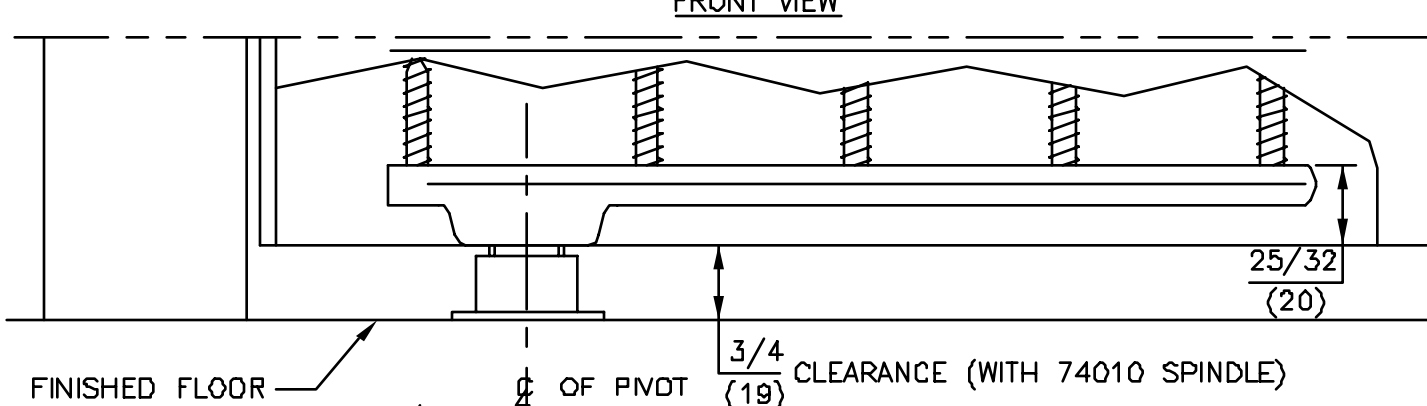
FLOOR CLOSER MODELS: BTS 75V/A,B,G,H & BTS 80/A,B,G,H
 CENTER HUNG 2-3/4" BACKSET
 CEMENT CASE PLACEMENT



DORMA Architectural Hardware
 REAMSTOWN, PENNSYLVANIA 17567
 TEMPLATE No. BTS-77

No.	REVISIONS	DATE

FRONT VIEW



BOTTOM VIEW

NOTES

1. DO NOT SCALE DRAWING.
2. DIMENSIONS ARE IN INCHES/(MM).
3. ALL NECESSARY REINFORCEMENT FOR ARM BY OTHERS.

ITEM No. 7421
 CENTER HUNG BOTTOM ARM
 FOR USE WITH BTS 75, BTS 80, BTS 80EMB



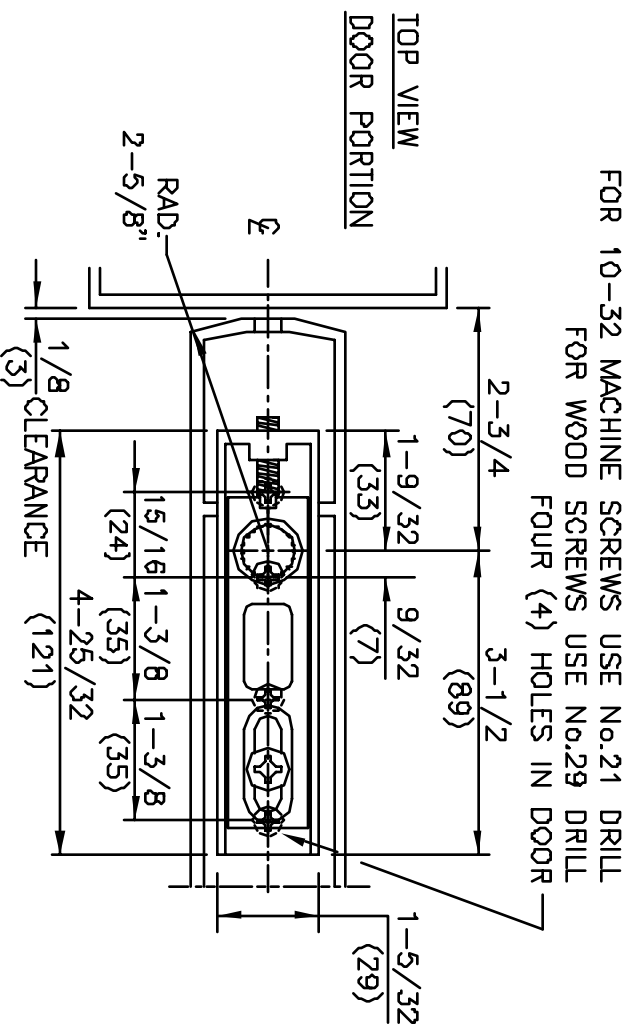
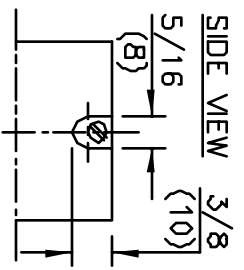
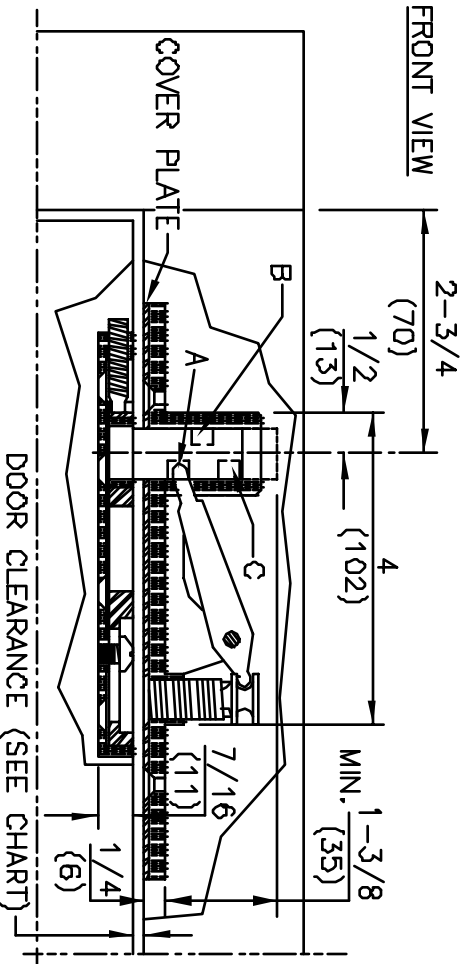
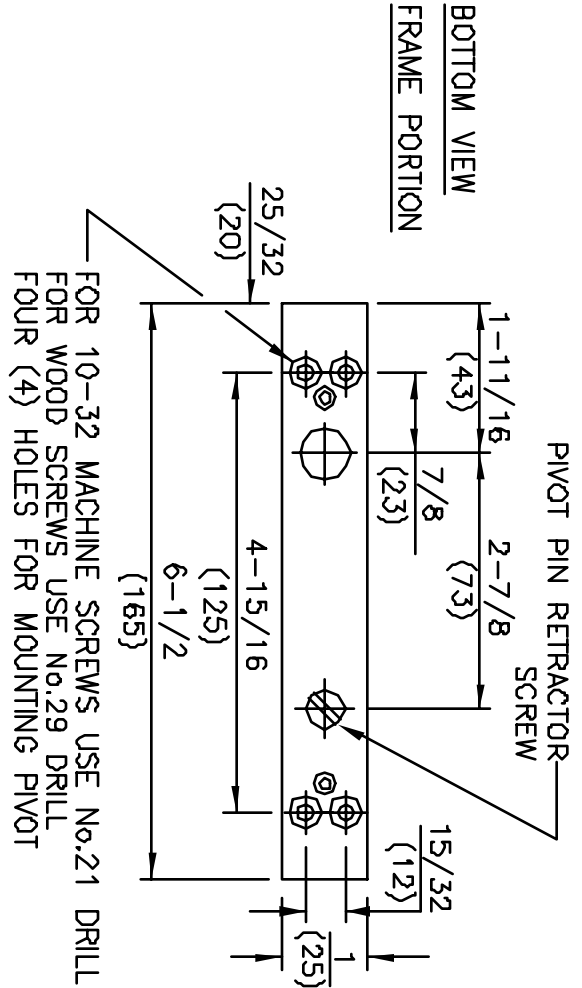
DORMA Architectural Hardware
 REAMSTOWN, PENNSYLVANIA 17567
 TEMPLATE No. BTS-60

No.	REVISIONS	DATE

- NOTES
- DO NOT SCALE DRAWING.
 - DIMENSIONS ARE IN INCHES/(MM).
 - ALL NECESSARY REINFORCING FOR PIVOTS BY OTHERS.
 - PIVOT PIN DIAMETER .591/(15MM).
 - PIVOT PIN PROJECTION IS ADJUSTABLE. SEE CHART FOR DOOR CLEARANCES.

DOOR CLEARANCE

POSITION	STANDARD PIN	EXTENDED PIN
A	1/8" (3)	3/4" (19)
B	3/8" (10)	1" (25)
C	3/4" (19)	1-5/16" (33)



MODEL No. 8062, 8062 EXT PIN
CENTER HUNG TOP PIVOT
FOR USE WITH BTS 75, BTS 80, BTS 80EMB



DORMA Architectural Hardware
REAMSTOWN, PENNSYLVANIA 17567
TEMPLATE No. BTS-59