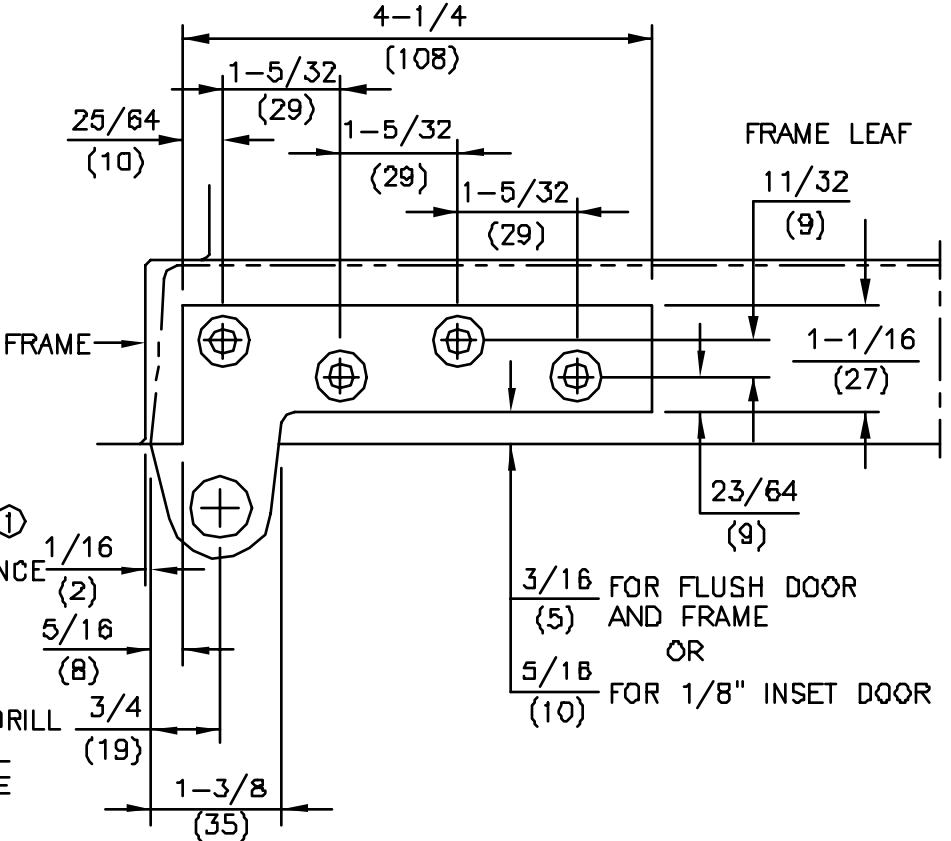
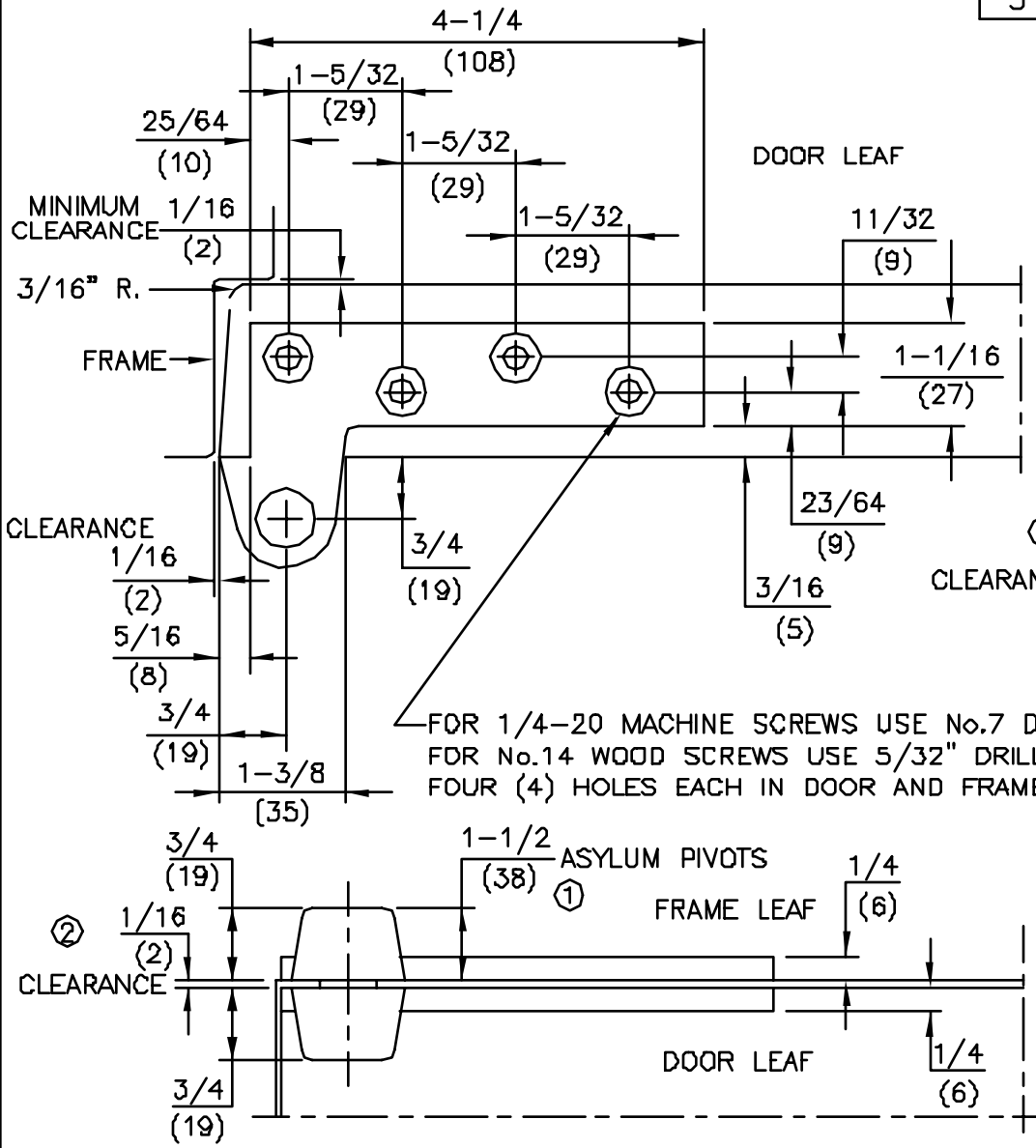


No.	REVISIONS	DATE
2	ADDED 1/16" CLEARANCE DIMENSION	3/5/93
3	REVISED TO TAKE OUT ASYLUM	4/11/00



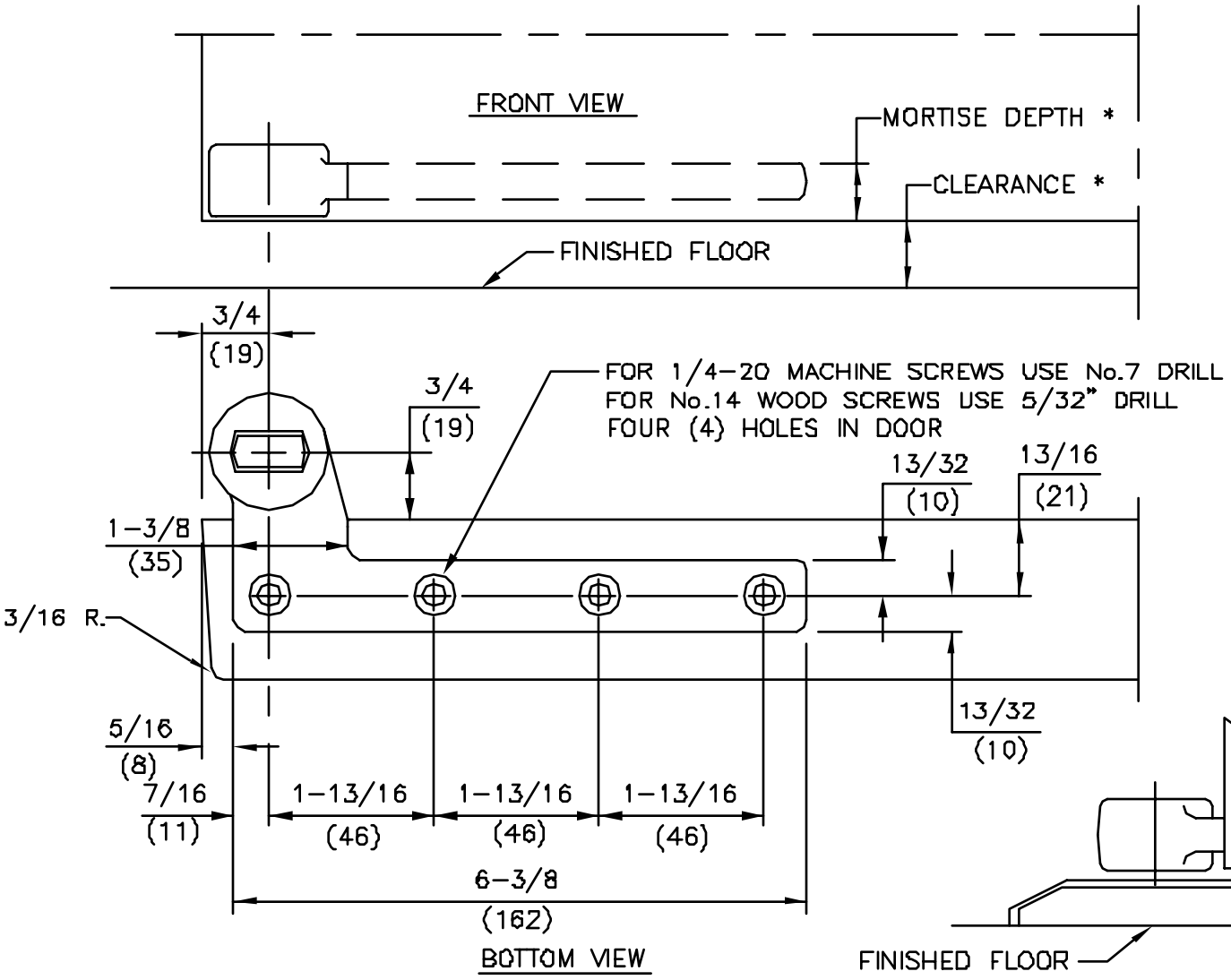
- NOTES
1. DO NOT SCALE DRAWING.
 2. DIMENSIONS ARE IN INCHES/(MM).
 3. RIGHT HAND DOOR SHOWN.
 4. BEVEL HEEL EDGE OF DOOR 1/8" IN 2".
 5. ALL NECESSARY REINFORCING FOR PIVOT BY OTHERS.
 6. FLUSH DOOR & FRAME STANDARD. 1/8" INSET DOORS REQUIRE PIVOT WITH 5/8" SUFFIX.

ITEM No. [75120, 75122, 75133 (DOOR FLUSH WITH FRAME) NON-HANDED]
[75120 5/8, 75122 5/8, 75133 5/8 (DOOR INSET 1/8" FROM FRAME) HANDED]
3/4" OFFSET FULL MORTISE TOP PIVOT ③



DORMA Architectural Hardware
REAVISTOWN, PENNSYLVANIA 17567
TEMPLATE No. LM-34 ③

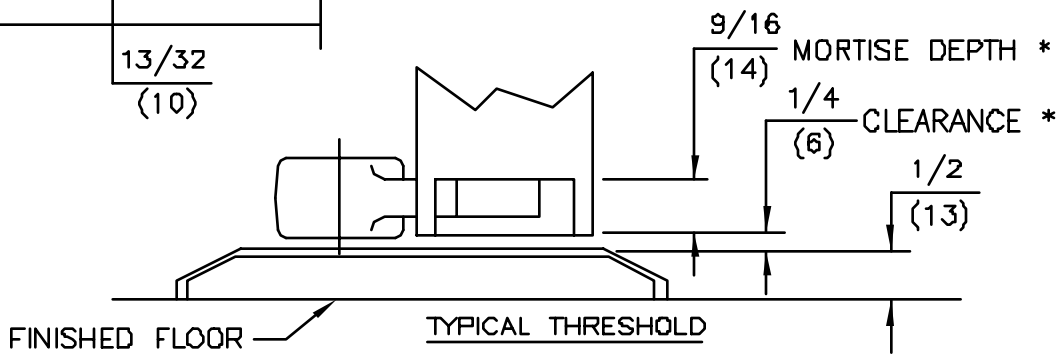
No.	REVISIONS	DATE
1	DELETED NOTE 1, REVISED CHART	3/19/92



- NOTES ①
- DO NOT SCALE DRAWING.
 - DIMENSIONS ARE IN INCHES/(MM).
 - RIGHT HAND DOOR SHOWN.
 - BEVEL HEEL EDGE OF DOOR 1/8" IN 2".
 - ALL NECESSARY REINFORCEMENT FOR ARM BY OTHERS.

①

SPINDLE EXT.	CLEARANCE *	MORTISE DEPTH *
STD.	5/16"	1"
STD.	1/2"	13/16"
STD.	3/4"	9/16"
5mm	15/16"	9/16"
10mm	1-1/8"	9/16"
15mm	1-5/16"	9/16"
20mm	1-1/2"	9/16"
25mm	1-11/16"	9/16"
30mm	1-15/16"	9/16"
35mm	2-1/8"	9/16"
40mm	2-5/16"	9/16"
45mm	2-1/2"	9/16"
50mm	2-11/16"	9/16"

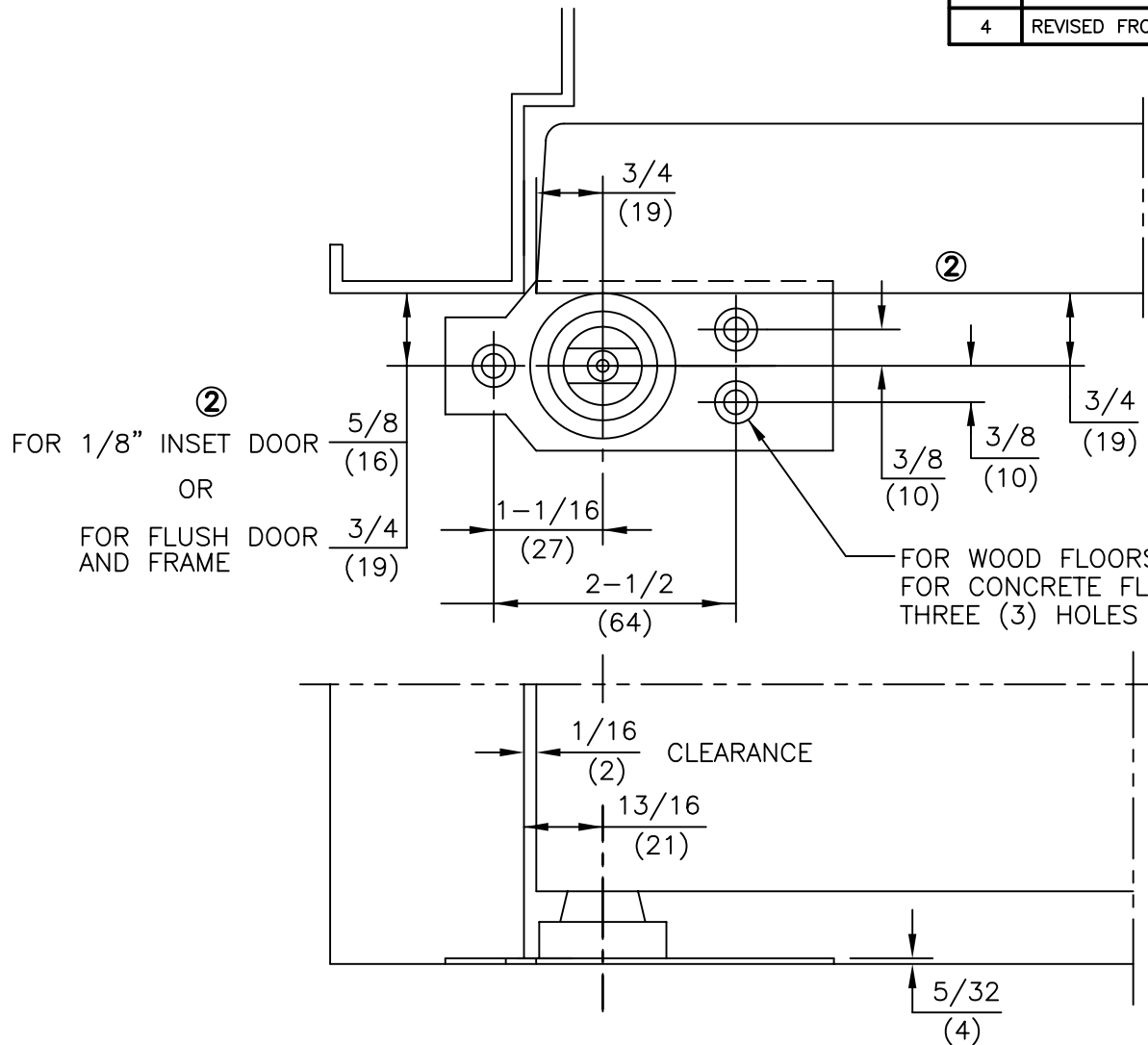


ITEM No. 75323
 3/4" OFFSET STANDARD BOTTOM ARM
 FOR NON-FIRE OR 3 HR. RATED DOORS
 FOR USE WITH 7471K FLOOR BEARING



DORMA Architectural Hardware
 REAVISTOWN, PENNSYLVANIA 17567
 TEMPLATE No. LM-20 ①

No.	REVISIONS	DATE
2	DELETED NOTE 1 AND REVISED NOTE 6. DOOR SHOWN FLUSH, ADDED FLUSH AND 1/8" INSET DIMENSIONS.	3/6/92
3	DELETED CHART AND NOTE 4	3/19/92
4	REVISED FROM 5/16" DRILL TO 1/4" DRILL 1" DEEP	8/2/04



NOTES:

1. DO NOT SCALE DRAWING.
2. DIMENSIONS ARE IN INCHES\MM.
3. RIGHT HAND DOOR SHOWN.
4. FLUSH DOOR AND FRAME PREPARATION SHOWN.

ITEM No.7471K
3/4" OFFSET FLOOR BEARING INSTALLATION
 FOR USE WITH 75323 AND 75343 BOTTOM ARM ①



DORMA Architectural Hardware
 REAMSTOWN, PENNSYLVANIA 17567
 TEMPLATE No. LM-30 ④