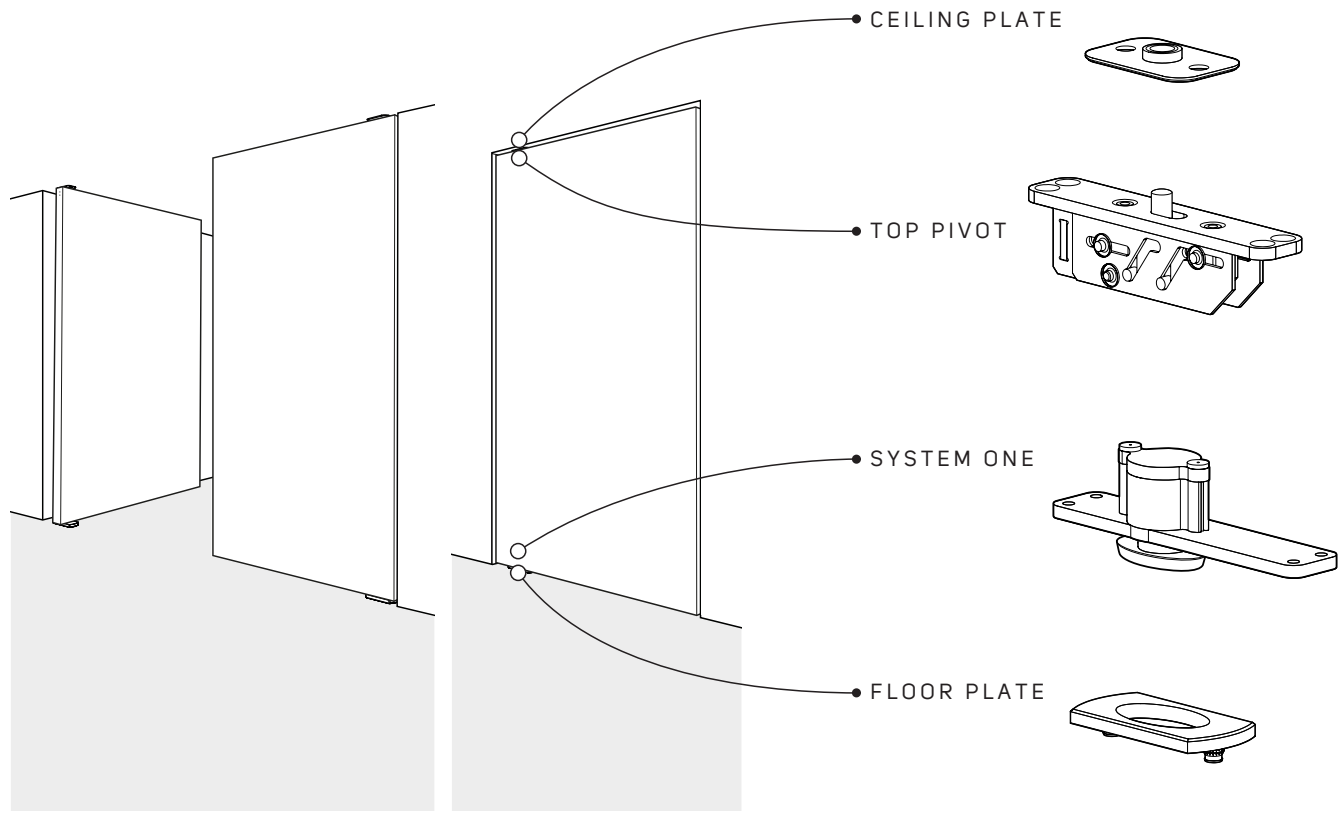
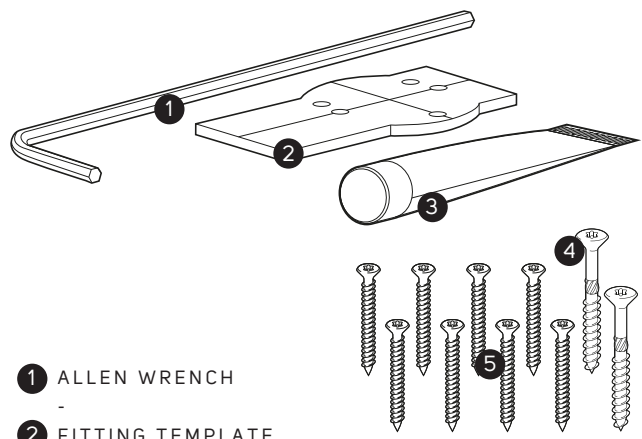


MILLING MANUAL

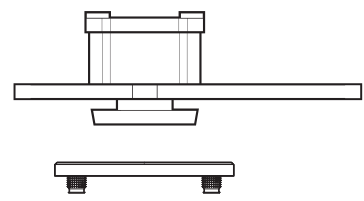
FritsJurgens®
SYSTEM ONE



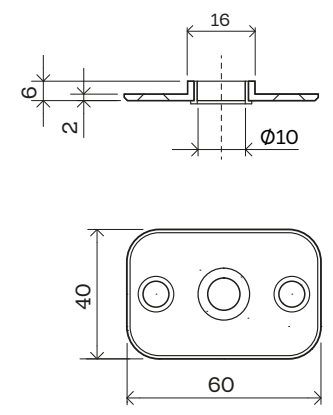
TOOLS INCLUDED



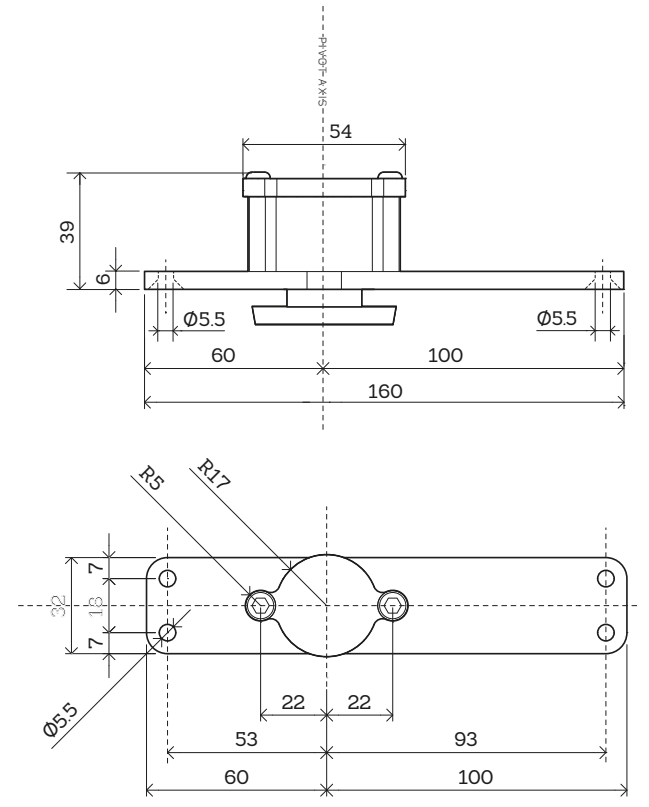
- 1 ALLEN WRENCH
-
- 2 FITTING TEMPLATE
-
- 3 FITTING ADHESIVE
-
- 4 SCREW (6X 60) 2x
-
- 5 SCREW (4X50) 8x



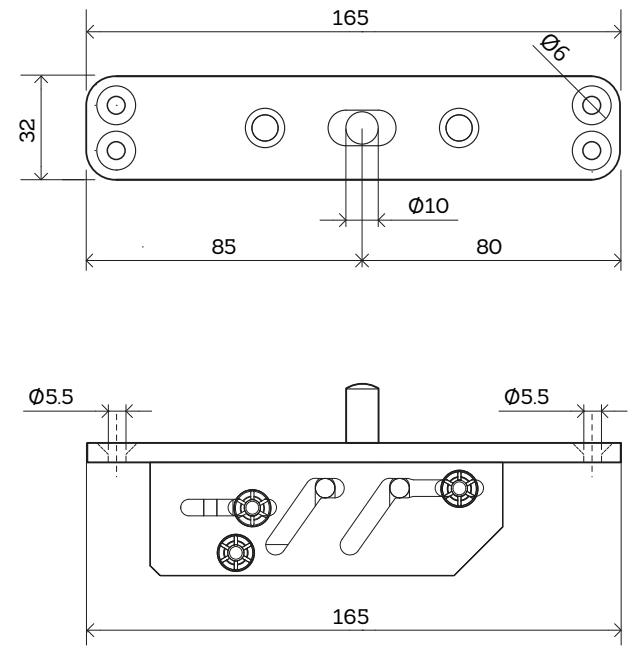
CEILING PLATE



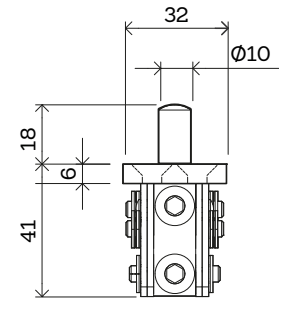
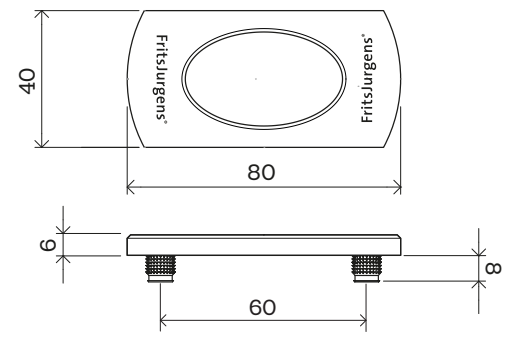
SYSTEM ONE



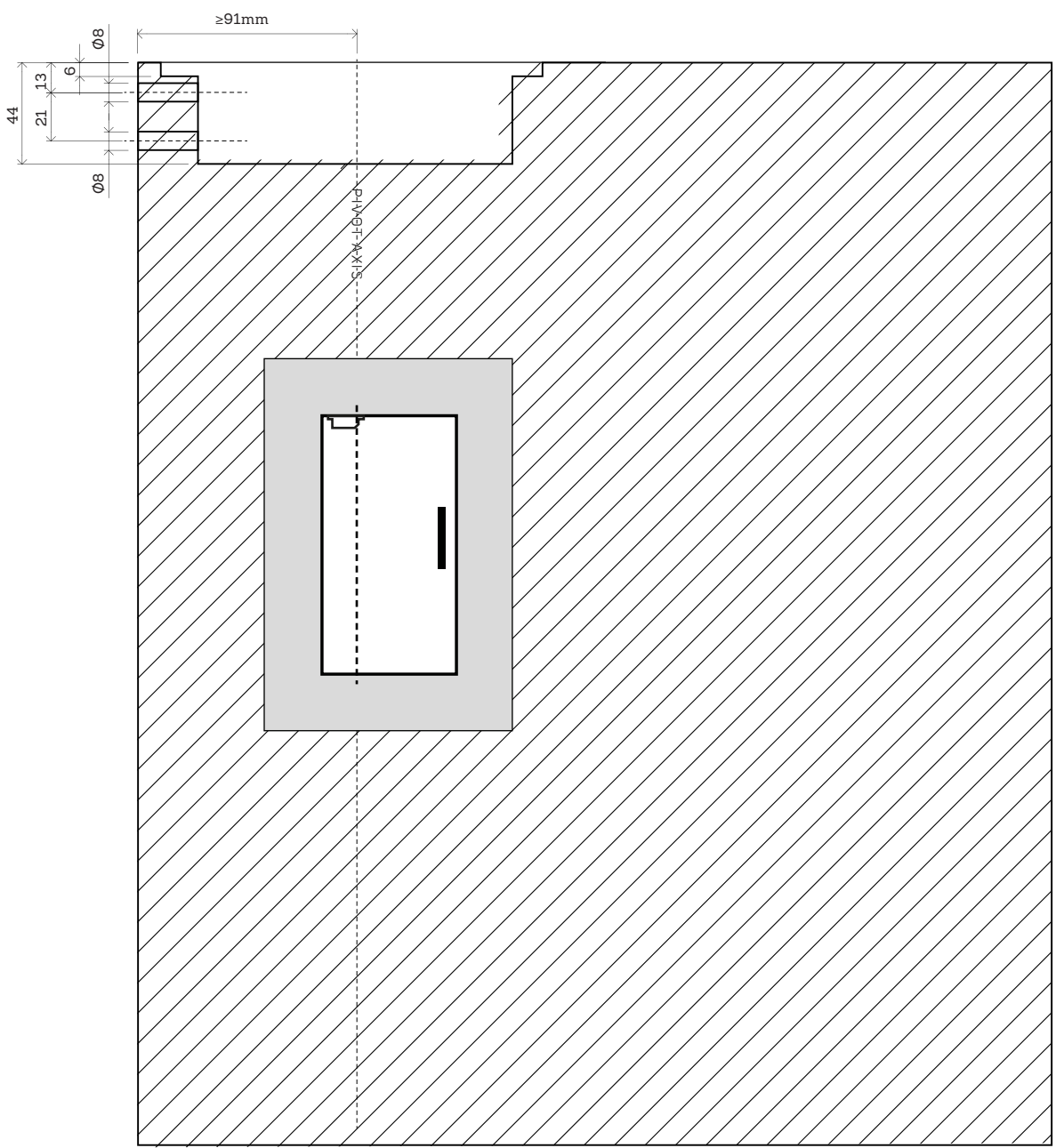
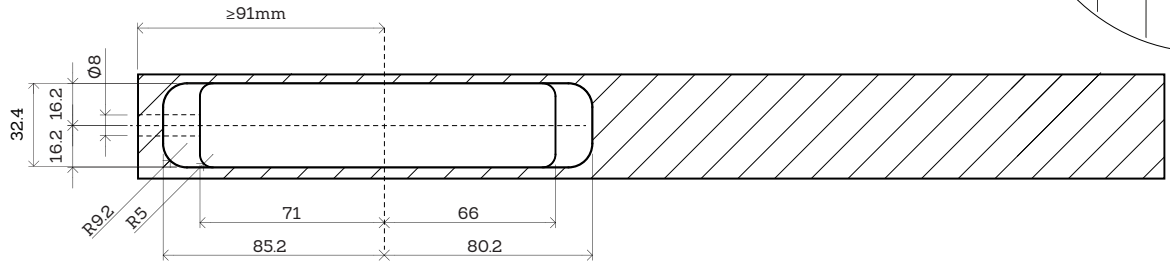
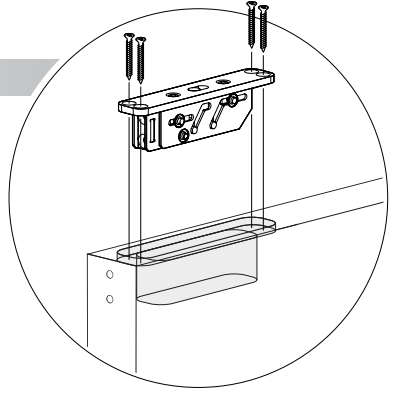
TOP PIVOT



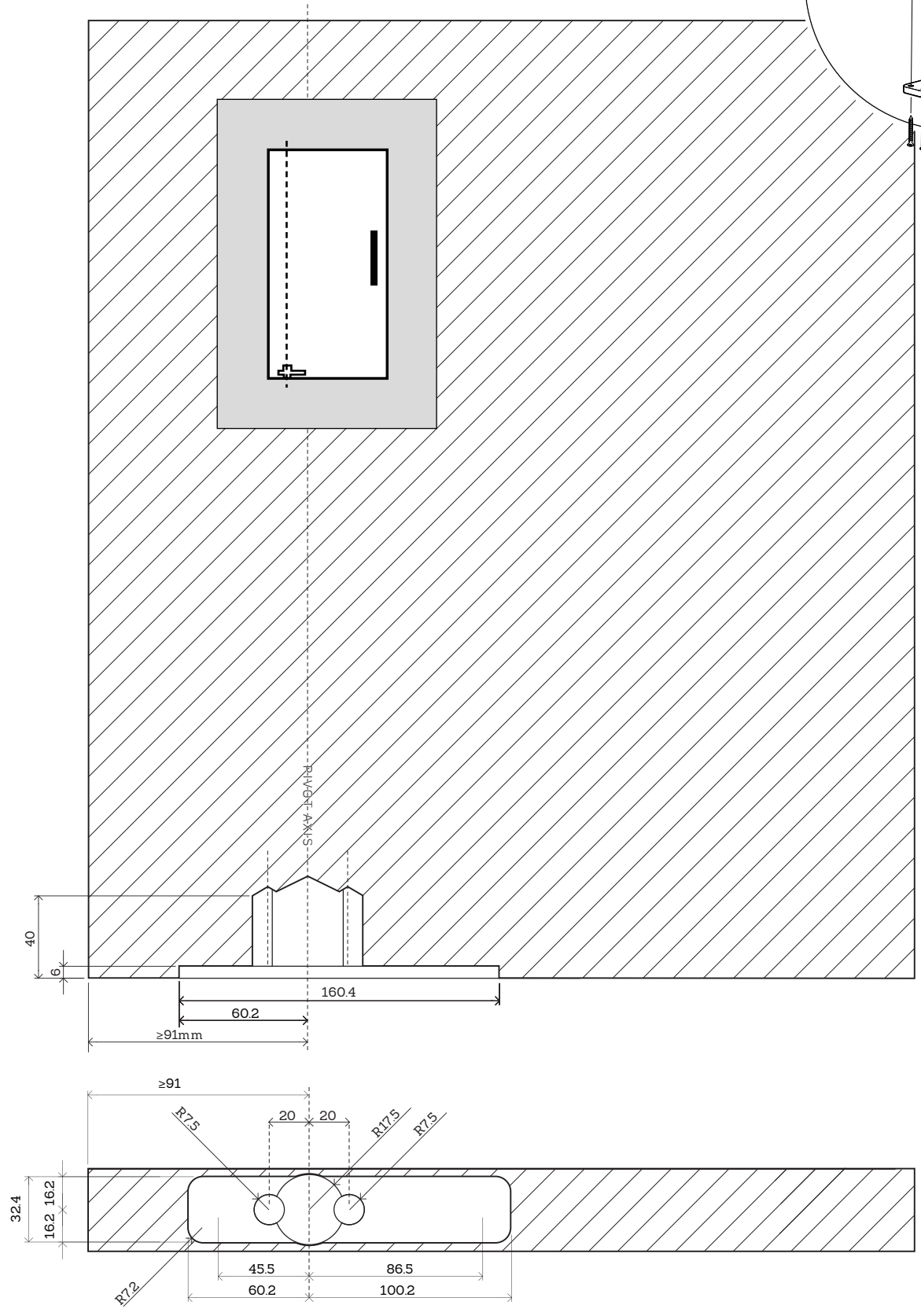
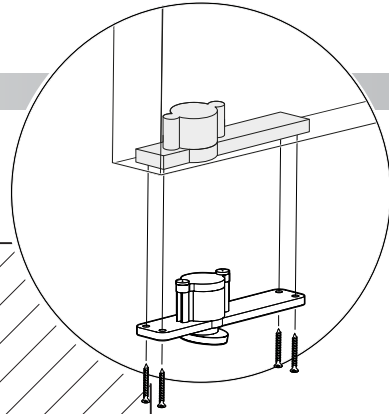
FLOOR PLATE



TOP PIVOT



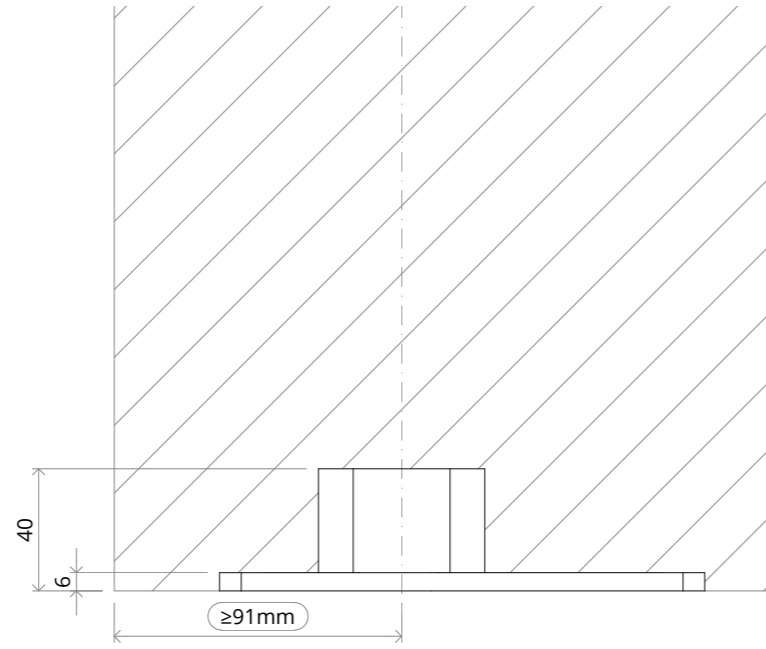
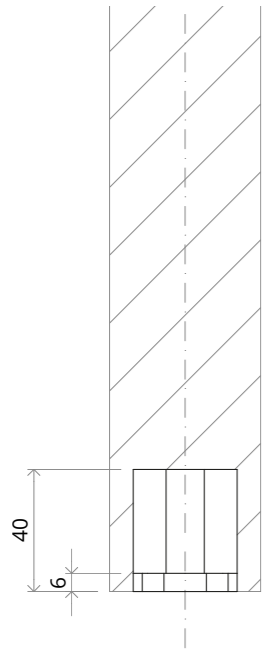
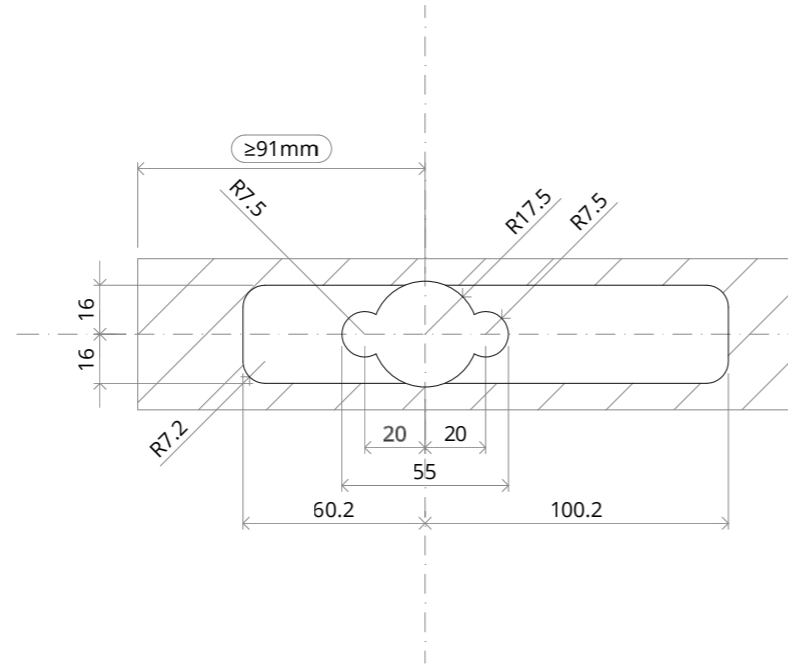
SYSTEM ONE



MILLING DRAWING

BOTTOM PIVOT

FRITSJURGENS MPDS-S80 RVS 0 WS



MILLING DRAWING

TOP PIVOT

FRITSJURGENS MPDS-ATC-9001

FRITSJURGENS MPDS-ATC-9101

