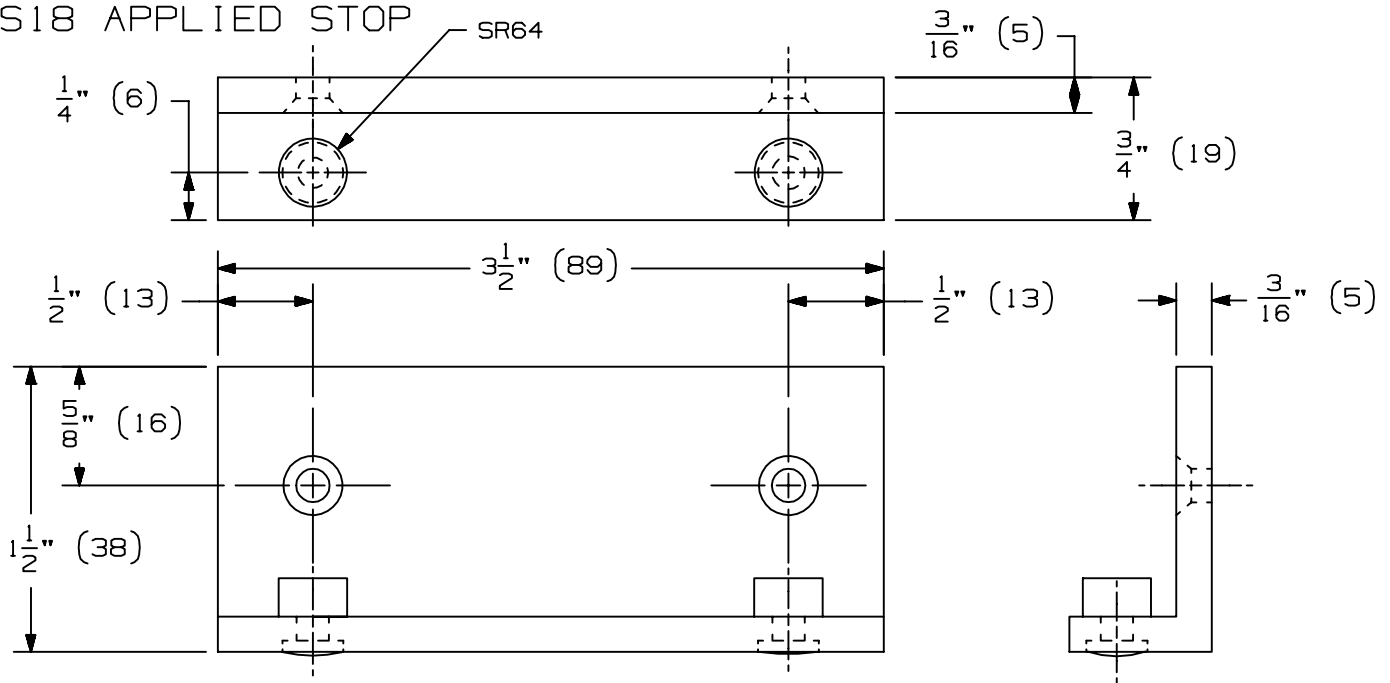
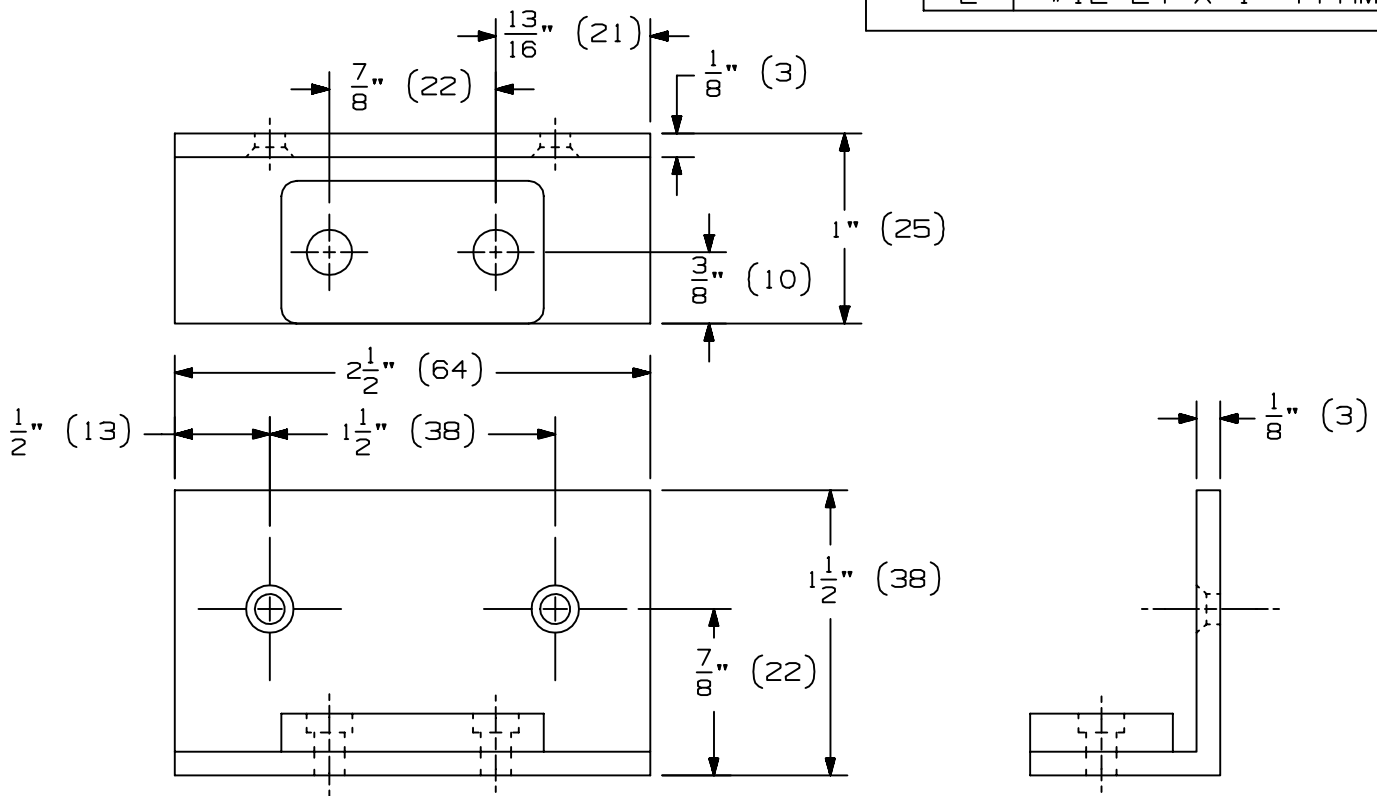


AS18 APPLIED STOP



QTY.	SCREW
2	#12 X 1 1/4" FPHSMS
2	#12-24 X 1" FPHMS

AS895 APPLIED STOP



INSTRUCTIONS:

1. PLACE STOP IN DESIRED LOCATION AND LOCATE MOUNTING HOLES
2. PREPARE MOUNTING HOLES.
3. INSTALL APPLIED STOP.

QTY.	SCREW
2	#10 X 1 1/2" FPHSMS
2	#10-32 X 1/2" FPHMS

IVES AS18 & AS895 APPLIED STOPS
INSTALLATION TEMPLATE



NOTE: DIMENSIONS IN () ARE MILLIMETERS.

TEMPLATE NUMBER: INST.AS_0

DATE: 09-01-01