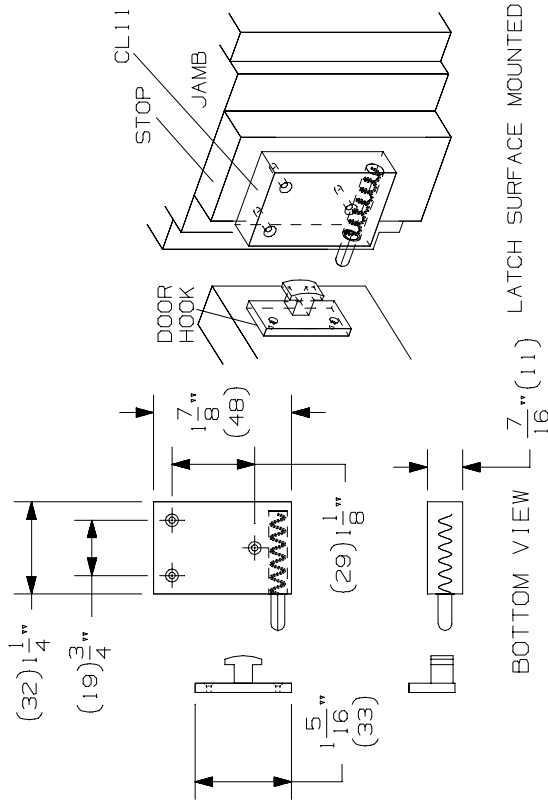
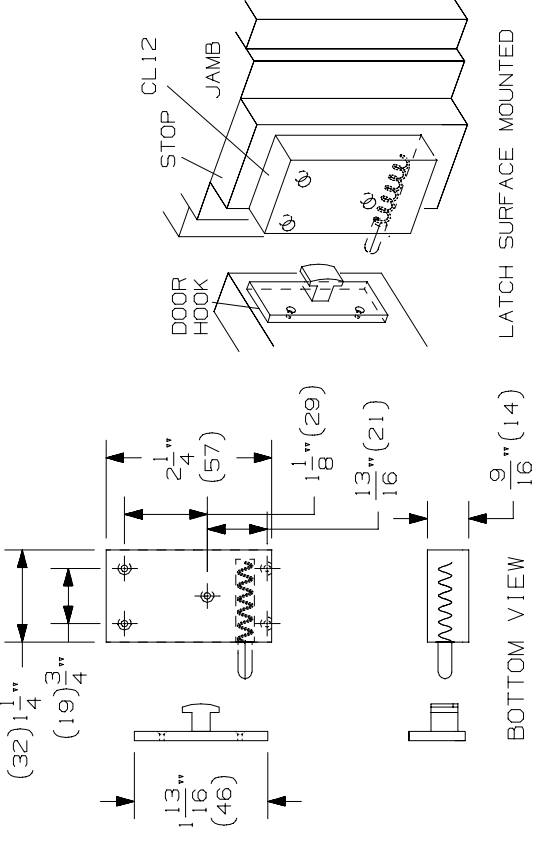


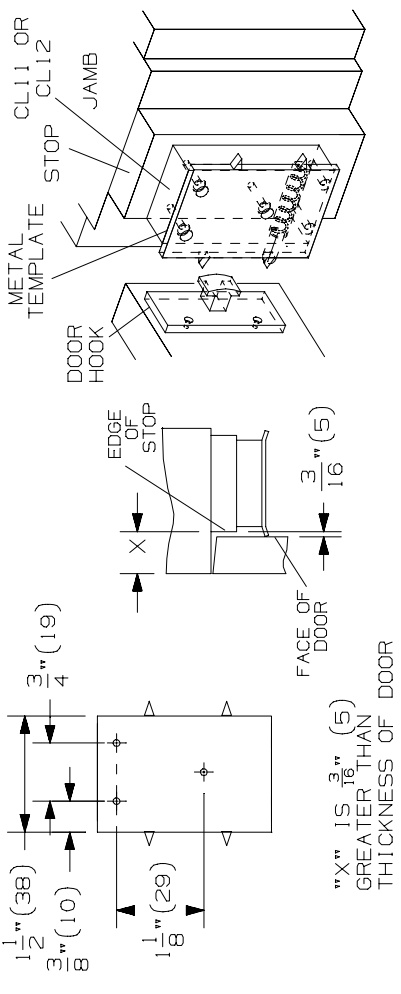
CL11 LATCH



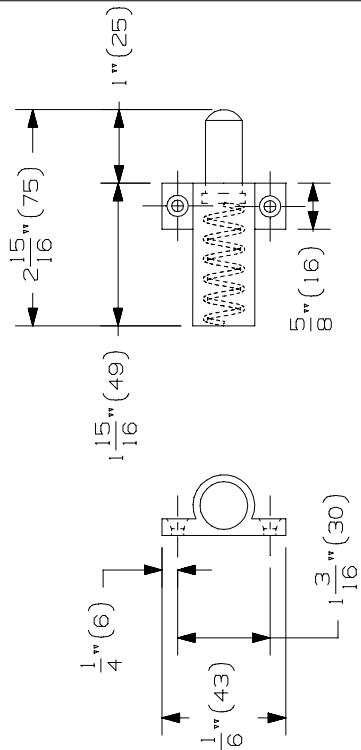
CL12 LATCH



METAL TEMPLATE



CL14 AUXILIARY PUSHER



OPERATION INSTRUCTIONS:

- A. TO LOCK, PUSH DOOR BACK TO FLUSH POSITION.
- B. TO RELEASE, PUSH DOOR AGAINST STOP AND RELEASE. DOOR MUST BE ABLE TO BE PUSHED IN 3/16" (5).

INSTALLATION INSTRUCTIONS:

- A. INSTALL LATCH CASE 3/16" (5) CLEARANCE BETWEEN DOOR & STOP IS NECESSARY TO INSURE PROPER OPERATION OF LATCH.
- B. REMOVE SCREWS FROM LATCH & ATTACH METAL TEMPLATE AS SHOWN FOR LOCATING HOOK SCREWS. BE SURE METAL PRONGS OF TEMPLATE POINT AWAY FROM LATCH. CLOSE DOOR GENTLY AGAINST PRONGS, MARKING LOCATIONS FOR THE SCREWS FOR THE HOOK. REMOVE PLATE.
- C. INSTALL HOOK ON DOOR.
- D. REINSTALL THE LATCH CASE.

WHEN LATCH IS INSTALLED ON DOORS OR PANELS WHERE A VACUUM CONDITION EXISTS AND IT IS DIFFICULT TO OPEN DOOR, INSTALL CL14 AUXILIARY PUSHERS.

	QTY	SCREW DETAILS
CL11 LATCH	3	6 X 1" RPHSMS
CL12 LATCH	4	6 X 1 1/4" RPHSMS
HOOK	2	6 X 3/4" FPHSMS
CL14	2	6 X 3/4" FPHSMS

IVES CL11 & CL12 INVISIBLE LATCH & CL14 AUXILIARY PUSHER INSTALLATION TEMPLATE



NOTE: DIMENSIONS IN () ARE MILLIMETERS.

TEMPLATE INST. CL11-14_1
NUMBER:

DATE:
01-13-03