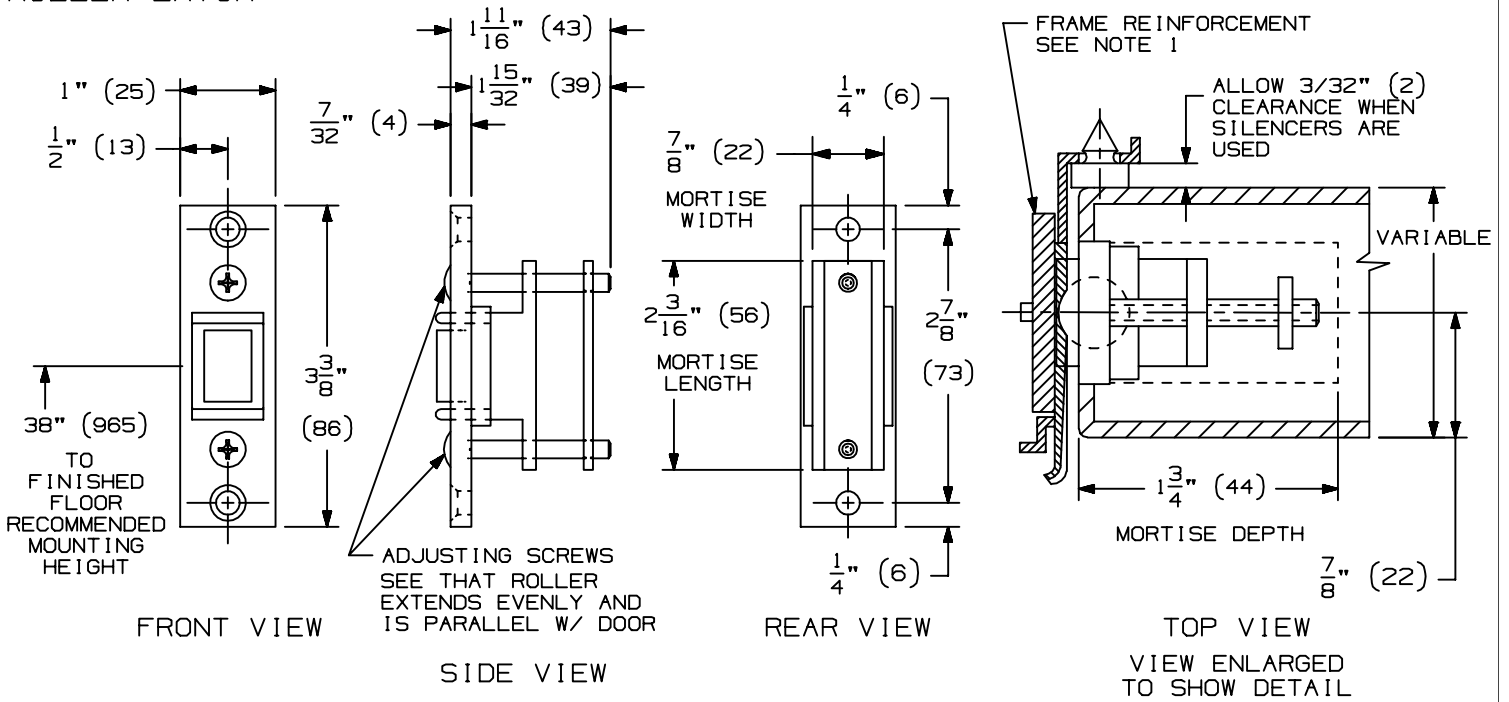
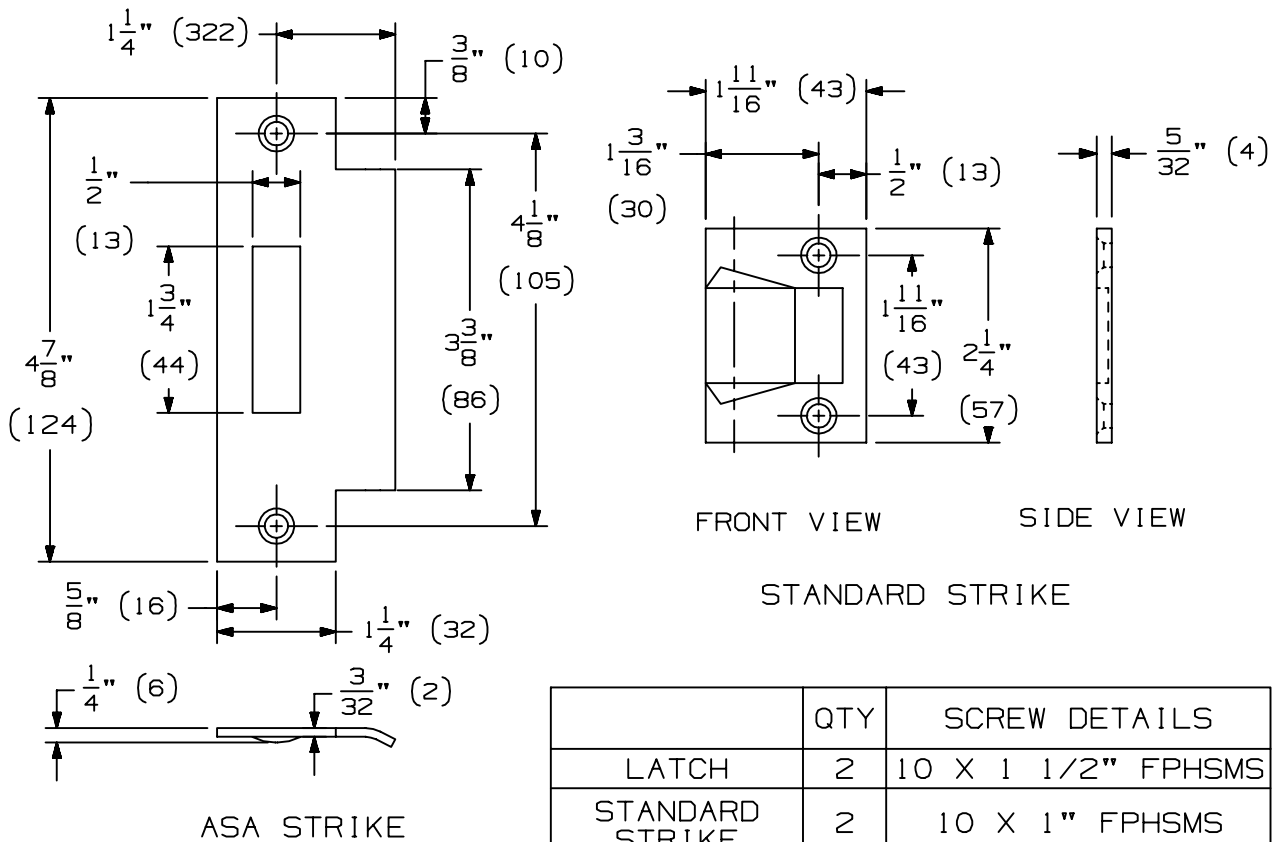


ROLLER LATCH



STRIKES



NOTES:

1. HOLLOW METAL DOORS & FRAMES SHOULD BE PROPERLY REINFORCED WITH A 3/16" (5) MINIMUM THICKNESS PLATE.



RL30 ROLLER LATCH INSTALLATION TEMPLATE



NOTE: DIMENSIONS IN () ARE MILLIMETERS.

TEMPLATE NUMBER: INST.RL30_0

DATE: 09-01-01