

Opening	Dim. A
To 100°	7
100° to 120°	6
Over 120°	3-1/2

inches	mm.	inches	mm.
3/4	19.1	3-1/2	89
7/8	22	6	152
1-1/4	32	7	178
1-3/4	44.5	9-1/16	230.2

Notes:

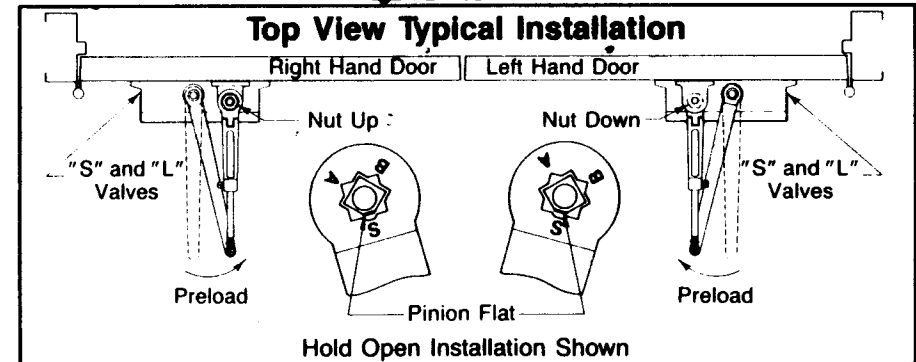
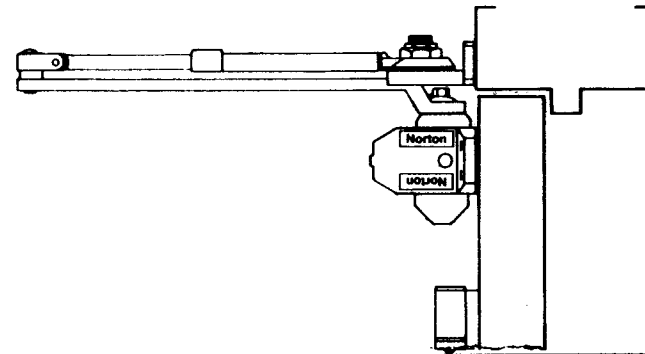
- Do not scale drawing.
- Right hand door shown.
- Dimensions are in inches. See conversion chart for metric dimensions.

Door swing may be limited by door, frame, wall or hardware conditions. Hollow-metal doors require channel or box-type reinforcement when thru-bolt mount is specified.

Sex-bolts may be required for wood or plastic faced fire-door mounting.

Minimum thickness recommended for reinforcements in hollow-metal doors and frames: .1046" (2.66mm.) unless otherwise noted.

Hold Open Arm door closers are not permitted to be used on fire doors.



Fastener	Door or Frame	Drill
#14 type "A" sheet metal screw	wood	7/32" (5.5mm)
1/4-20 machine screw	metal	#7 (.201 dia.) or 5.10mm. drill 1/4"-20 tap
SNB (optional)	hollow-metal	9/32" (7.00mm.) thru 3/8" (9.50mm.) door face opposite to closer
	aluminum or wood	3/8" (9.50mm.) thru
TBGN (optional)	all	9/32" (7.00mm.) thru 3/8" (9.50mm.) diameter x 3/8" (10mm.) deep, door face opposite to closer

**1600 Series Door Closers
Regular Arm Application**

Non Hold Open or Hold Open Arm

Individually Sized Units 2 thru 6 & Multi-size Units 1 & 1BF

Norton

Norton Door Controls

www.nortondoorcontrols.com

TEMPLATE NUMBER

7316-1102

DATE

5-98