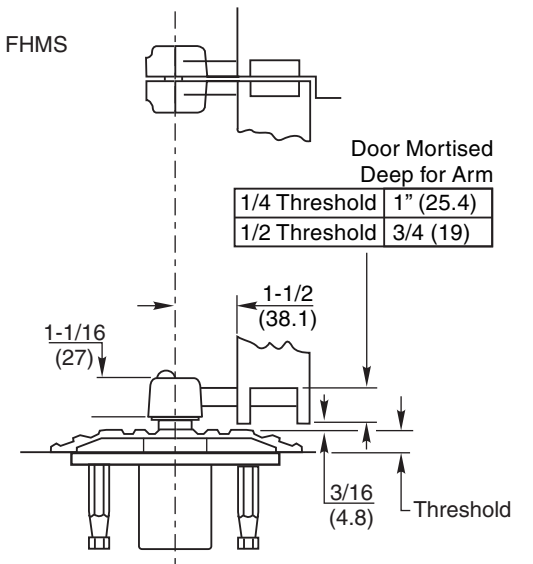


Set cement case 1/16" (1.6) below surface of finished floor



With Threshold

Set Cement Case Flush With Finished Floor To Maintain Proper Clearance Use One (1) 1/16" (1.6) Shim Between The Arm And Arm Bearing Washer.

- Notes:**
1. Do not scale drawing.
 2. Dimensions given in inches (mm).
 3. Right Hand Shown.
 4. Maximum Degree Of Opening, Trim Permitting, 180°.

**117-1/2 Pivot Set
1-1/2" Offset**

RIXSON®

ASSA ABLOY

www.rixson.com

TEMPLATE NUMBER

PS30020

DATE

05-09