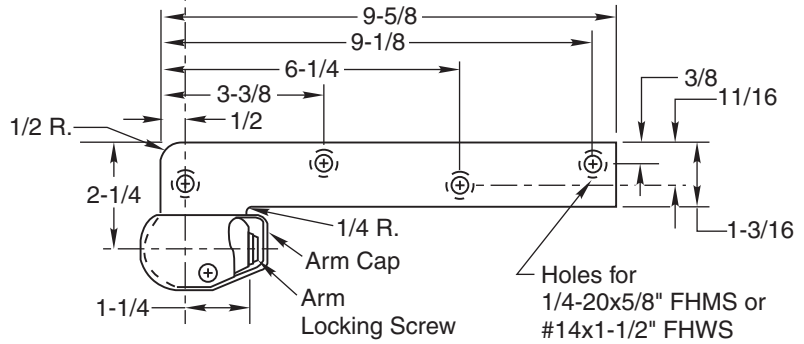
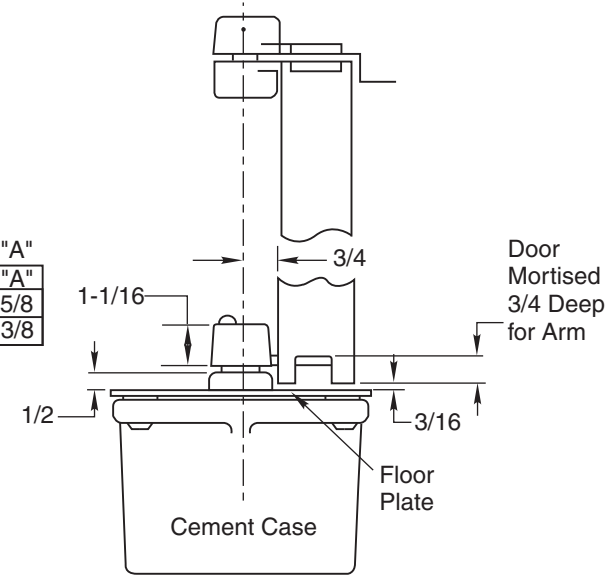
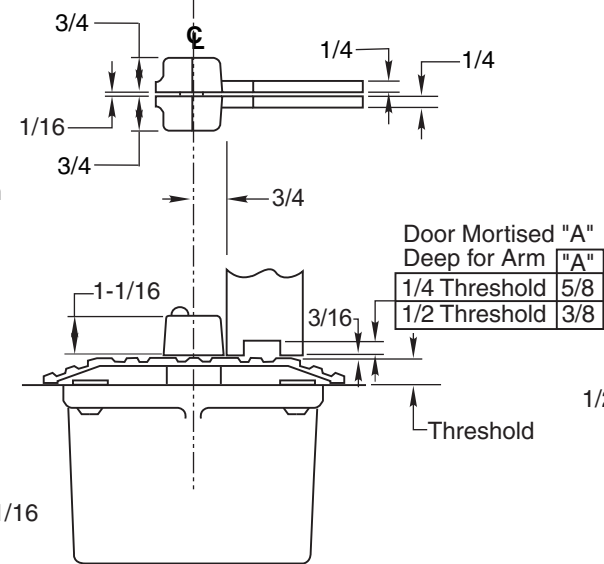
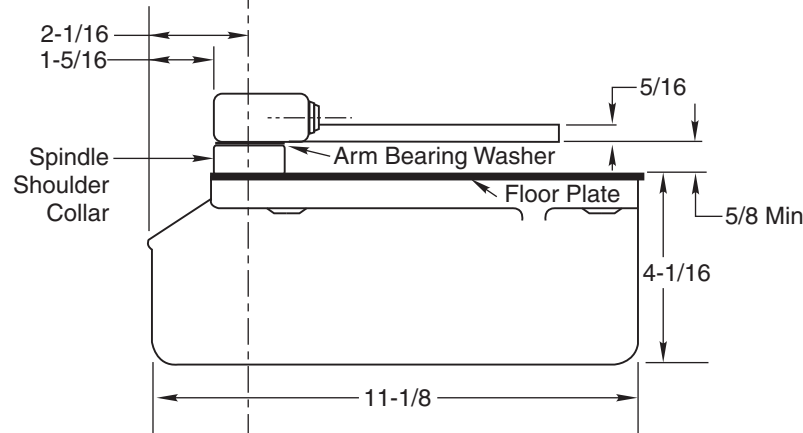


- Notes:**
1. Do not scale drawing.
 2. Right hand shown.
 3. If vertical adjustment is required, two (2) 1/16" shims are provided. Place shims between arm and arm bearing washer.
 4. All dimensions given in inches. Conversion from inches to metric: inch x 25.4



WITH THRESHOLD
Set Cement Case Flush with Finished Floor

WITH FLOOR PLATE
Set Cement Case 1/8" Below Surface of Finished Floor

**27 Floor Closer
3/4" Offset**

RIXSON®
ASSA ABLOY

www.rixson.com

TEMPLATE NUMBER	DATE
OS10055	9-06