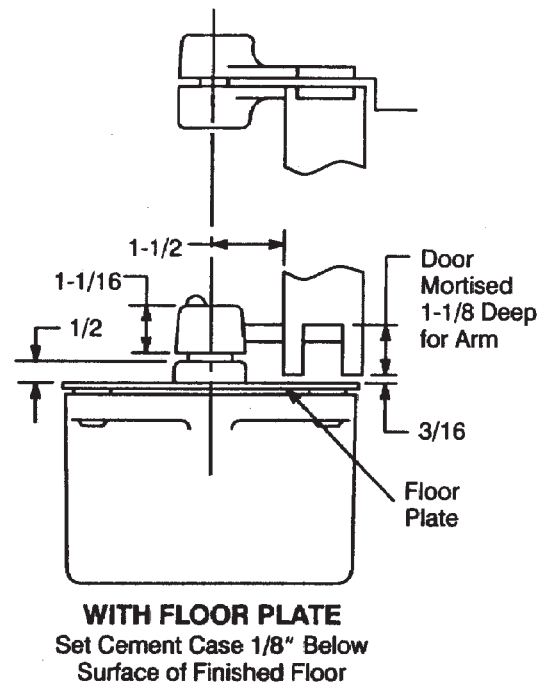


- Notes:**
1. Do not scale drawing.
 2. Right hand shown.
 3. 27 1-1/2 Series Maximum degree of opening, trim permitting:
2785-1-1/2 85°
2790-1-1/2 90°
27105-1-1/2 105°
Suffix Letters:
A - Automatic Hold Open
S - Selector Hold Open
 4. Where vertical adjustment is necessary, two (2) 1/16" thick shims are provided to be placed between arm and arm bearing washer.
 5. All dimensions are in inches.



**27 Floor Closer
1-1/2" Offset**

RIXSON®

ASSA ABLOY

www.rixson.com

TEMPLATE NUMBER

OS10060

DATE

12-08