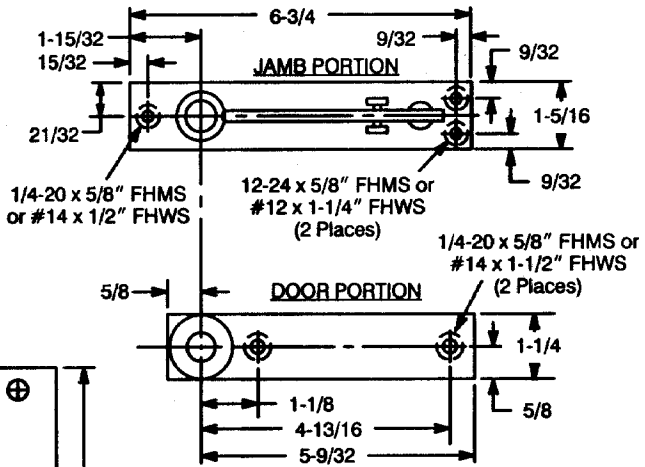


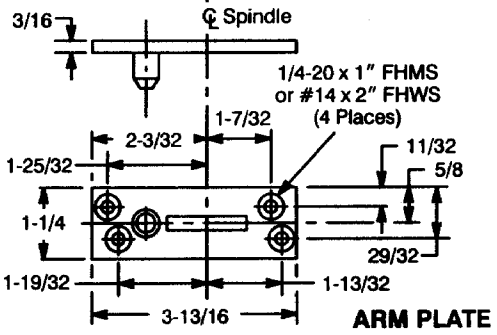
340 TOP PIVOT



Template covers following 30-40 floor closers:

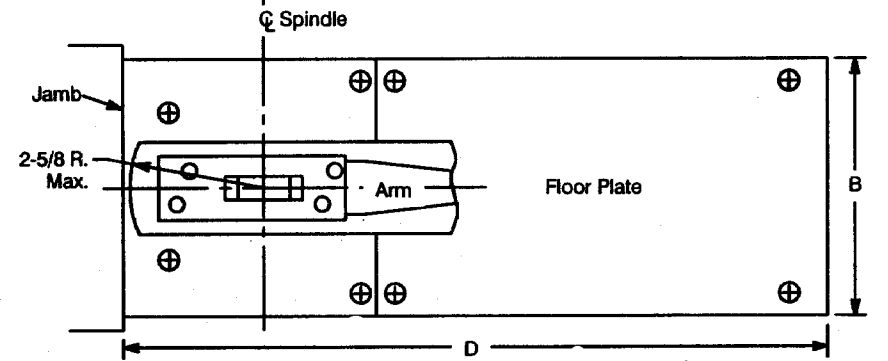
- 30 NHO x 103° Dead Stop
- 40 NHO x 103° Dead Stop
- 30 x 90° HO x 103° Dead Stop
- 40 x 90° HO x 103° Dead Stop
- 30 x 100° HO x 103° Dead Stop
- 40 x 100° HO x 103° Dead Stop

- Notes:**
1. Do not scale drawing.
  2. Suitable reinforcing by others.
  3. Rixson design threshold available on request.
  4. Provide 5/8" dia. hole for alignment screw.
  5. All dimensions given in inches.

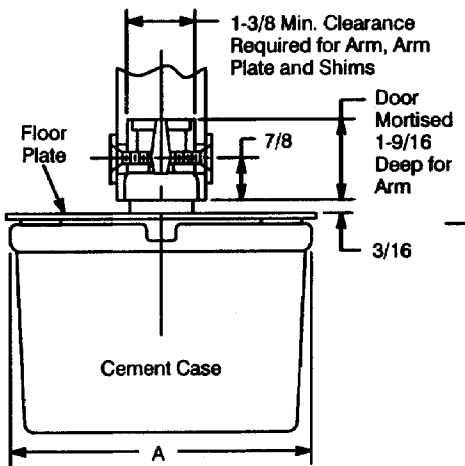


ARM PLATE

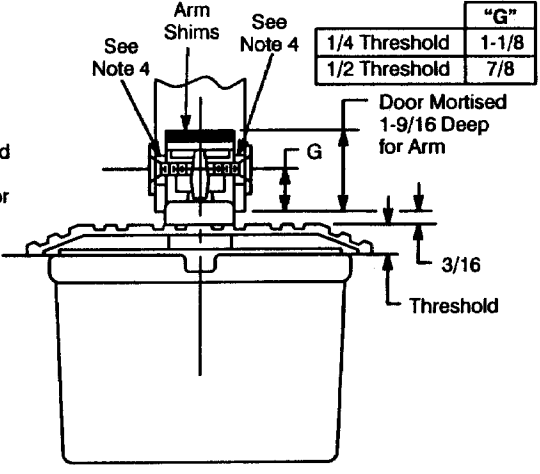
Closer No.	Dimensions					
	A	B	C	D	E	F
30	5-3/8	5-1/2	14-9/16	15-1/8	3-5/8	2-5/16
40	6-1/16	6-1/8	17	17-1/4	4-1/16	2-9/16



"H"	
Floor Plate	1-1/16
1/4 Threshold	15/16
1/2 Threshold	11/16



**WITH FLOOR PLATE**  
Set Cement Case 1/8 Below Surface of Finished Floor



**WITH THRESHOLD**  
Set Cement Case Flush with Finished Floor

**30 and 40 Series Floor Closers**  
**Center Hung**  
**Double Acting**

**RIXSON®**  
Rixson Specialty Door Controls  
www.rixson.com  
TEMPLATE NUMBER **CH20300** DATE **2-01**