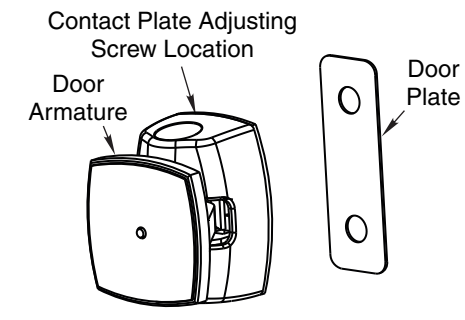
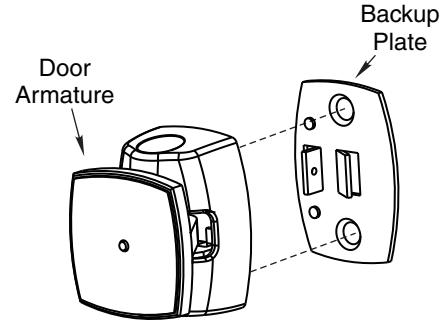
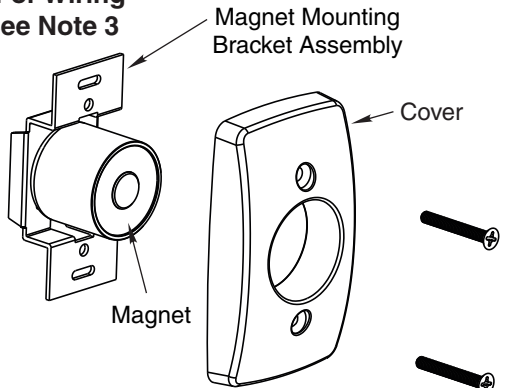


*** For Wiring
See Note 3**

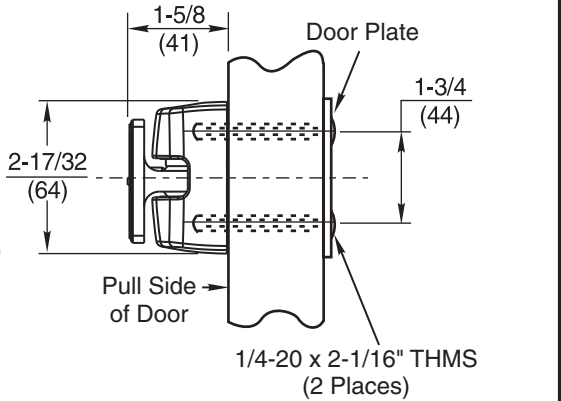
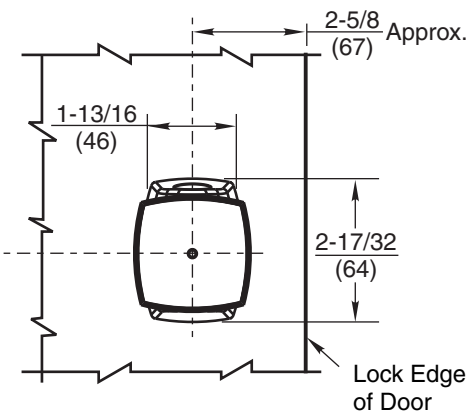
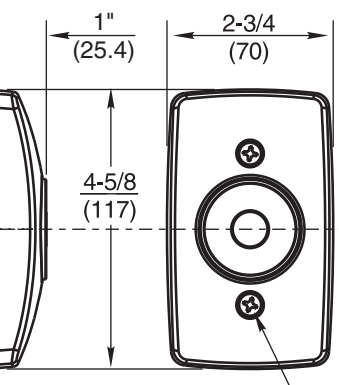
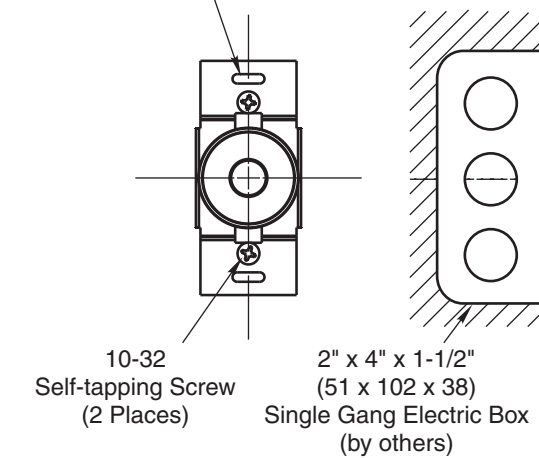
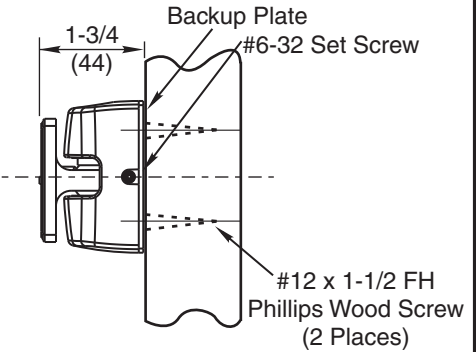


CAUTION: Nicks and scratches on the magnet surface will lessen or diminish the holding force of the magnet. Do not remove protective cap, if present, until last steps of installation.

5/32" x 3/8" (4 x 9.5) Slot for 2" x 4" (51 x 102) Electric Box (2 Places)
10-32 x 1-1/2 Self Tapping

Surface Applied Concealed Mounting
Recommended for Solid Wood Doors Only

Thru Bolt Mounting
Recommended for Hollow Metal, Hollow Core or Composite Type Wood Doors



10-32 Self-tapping Screw (2 Places)
2" x 4" x 1-1/2" (51 x 102 x 38) Single Gang Electric Box (by others)
10-32 x 1-1/2" Flat Head Self-Tapping Screws (2 Places)

Notes:

1. Do not scale drawing.
2. Total projection 2-5/8" (67mm). (Includes electromagnet and armature assembly.)
3. Non-tri voltage magnets have two non-polarized wires to be connected. Tri voltage magnets are connected using a terminal strip on back of magnet. One wire in common and one wire in the appropriate voltage terminal (non-polarized). Ground assembly to earth ground per state and local regulations.
4. See step 1 of sheet 2 for Electric Box location. Anchor Electric Box to withstand a

5. minimum 50 lb. pull. Electric Box shown installed in a vertical position.
5. Door closing mechanism should have a 3 lb. closing force at the degree of door opening where door armature and electromagnet engage.
6. Door hardware must not project more than 2-1/4" (57mm) on pull side of door.
7. Mounting of Electric Box should be reinforced to withstand shock of door opening. Failure to do so will cause box anchors to work loose.
8. All dimensions given in inches (mm).
9. See sheet 2 for more details.

997M Door Release

RIXSON
ASSA ABLOY

www.rixson.com

SHEET	TEMPLATE NUMBER	Rev
1 of 2	DR100265	1