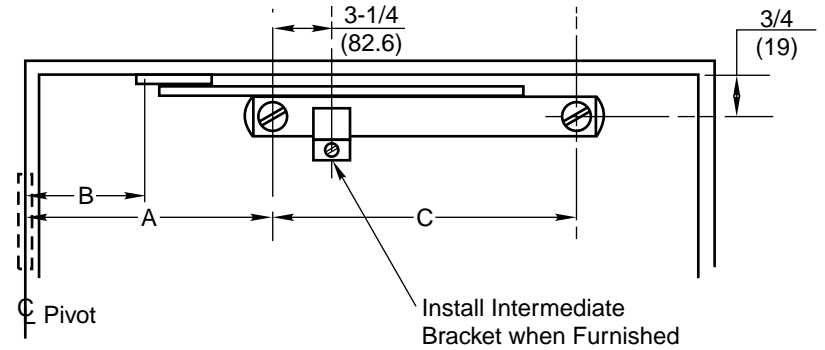


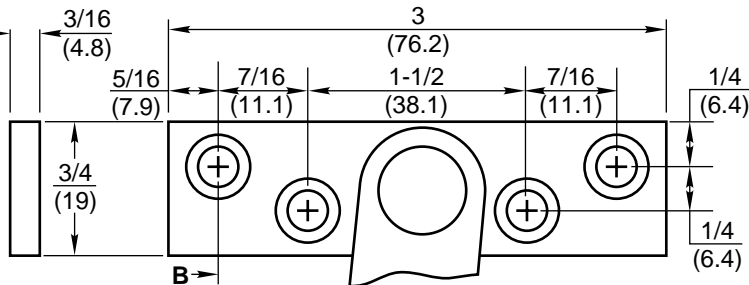
5. Install channel on door with "A" dimension sex bolt. Locate "C" dimension sex bolt hole making sure that channel is horizontal and parallel with stop strip. Drill 5/16 (7.9) dia. sex bolt hole and finish installing holder.



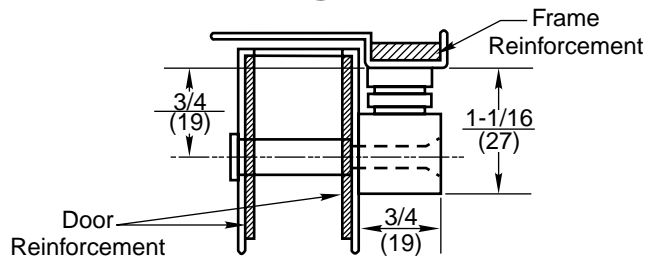
**INSTALLATION INSTRUCTIONS**

1. Select proper dimensions from chart on back side of page.
2. Locate "A" and "B" dimensions on door and frame.

3. Install jamb bracket on stop strip as shown.



4. Position channel on door with shock end located towards pivot. Drill 5/16 (7.9) dia. sex bolt hole, "A" dimension, 3/4 (19) down from stop strip as shown.

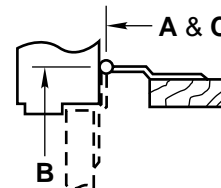


**Notes:**

- All hollow metal frames should be properly reinforced with 3/16" (4.8) min. thickness x 12" (304.8) min. length reinforcement plates.
- All hollow metal doors should be properly reinforced.
- All drilling and tapping to be done by field men.
- Suggest mounting door stop or holder first and then other hardware to clear. Contact factory if interference results with other hardware.
- Jamb bracket to be on same centerline as channel.
- Intermediate bracket #12 x 3/4" FSMS.
- All dimensions are given in inches (mm).

**Caution:**

Note location of swing clear hinge centerline to determine "A" and "B" dimensions.



Screw Details	
Jamb	Door
#12 x 1-1/2" FHWS or #12-24 x 1/2" FHMS (4 Places)	#12-24 x 1-1/2" FHMS and 5/16" Dia. Sex Bolt (2 Places)

**No. 10 Series  
Surface Mounted  
Door Stops and Holders**

**RIXSON™**  
Rixson Specialty Door Controls  
www.rixson.com  
TEMPLATE NUMBER OH80065A DATE 02-05

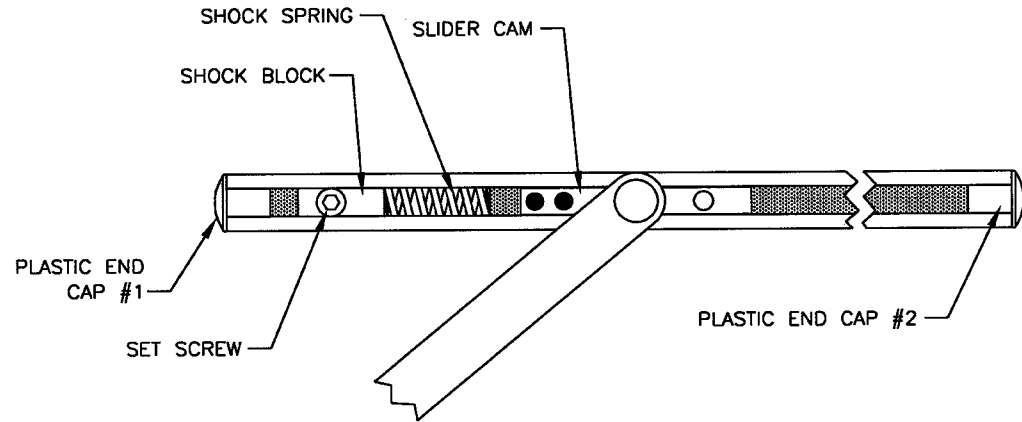
**No. 10 Series Surface Mounted Door Stops and Holders**

1. See other side for installation instructions.
2. Select proper dimensions noted below.
3. Add 5/8" to "A" dimension for dead stop.
4. All dimensions given in inches.

**When Using Center Hung Pivots, Check Pivot Manufacturer's Compatibility Prior to Specifying**

\* Butt mounting only.  
Reversible, non-handed.

	Device Number				Door Opening	A	B	C
	Fric-tion	H.O.	Stop	Multi				
1 3/4 - 2 1/4 Butts & 3/4 Offset Pivot	10-116	10-126	10-136	10-146	*18-24	1 3/16	3 9/16	14 13/16
	10-216	10-226	10-236	10-246	24 1/16 - 30	3 3/4	4 3/16	16
	10-316	10-326	10-336	10-346	30 1/16 - 36	6 9/16	5 3/8	17 3/4
	10-416	10-426	10-436	10-446	36 1/16 - 42	9 13/16	7 1/16	20 3/16
	10-516	10-526	10-536	10-546	42 1/16 - 48	13 3/4	8 5/16	22
Center Hung	Device Number				Door Opening	A	B	C
	Fric-tion	H.O.	Stop	Multi				
	10-116	10-126	10-136	10-146	21 - 26 1/2	1 5/8	4	14 13/16
	10-216	10-226	10-236	10-246	26 9/16 - 32	4 7/16	4 7/8	16
	10-316	10-326	10-336	10-346	32 1/16 - 38	7 3/16	6	17 3/4
	10-416	10-426	10-436	10-446	38 1/16 - 45	10 3/8	7 5/8	20 3/16
10-516	10-526	10-536	10-546	45 1/16 - 48	14 5/16	8 7/8	22	



**TO SELECT DEGREE OF STOP**

1. With a 3/16 hex key wrench, loosen the set screw in the shock block.
2. Open door to desired degree of opening.
3. Slide shock block and spring until the spring touches slider cam.
4. Tighten set screw.
5. Verify door opening position and re-adjust, as needed.

**No.10 Series  
Surface Mounted  
Door Stops and Holders**

**RIXSON®**

Rixson Specialty Door Controls

www.rixson.com

TEMPLATE NUMBER <b>OH80065B</b>	DATE <b>9-98</b>
------------------------------------	---------------------