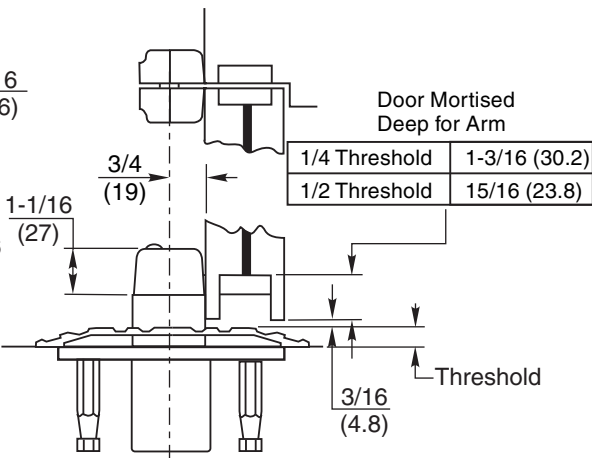


With Floor Plate

Set cement case 1/16 (1.6) below surface of finished floor



With Threshold

Set Cement Case Flush With Finished Floor To Maintain Proper Clearance Use One (1) 1/16 (1.6) Shim Between The Arm And Arm Bearing Washer.

Notes:

1. Do not scale drawing.
2. Dimensions given in inches (mm).
3. Arm And Top Pivot Drilled To Receive 1/4-20 X 1" FHMS Or # 14 x 2" FHWS
4. For Wood Doors: Pre-Drill Arm And Top Pivot Holes To Prevent Splitting.
5. If Vertical Adjustment Is Required, Two 1/16 (1.6) Shims Are Provided. Place Shims Between Arm And Spindle Shoulder Collar.
6. Maximum Degree Of Opening, Trim Permitting Is 180°. Suitable Reinforcement By Others. Lead Lining By Others. Right Hand Shown.

Note:

For Door Thickness Not Listed, Use Next Size Smaller Door Size For Preparation.

Door Size	A	B	Max. Lead Th'k
1-3/4"	1-1/4 (31.8)	1/4 (6.4)	9/32 (7.1)
2"	1-3/8 (34.9)	5/16 (7.9)	3/8 (9.5)
2-1/4"	1-1/2 (38.1)	3/8 (9.5)	15/32 (11.9)
2-1/2"	1-5/8 (41.3)	7/16 (11.1)	9/16 (14.3)
3"	2 (50.8)	1/2 (12.7)	3/4 (19)

Table Is Based On Lead Being Placed In Center Of Door.

Pivot Set Single Acting
3/4" Offset-Handed
For Lead Lined Doors

RIXSON

ASSA ABLOY
www.rixson.com

TEMPLATE NUMBER	DATE
PS30045	09-08