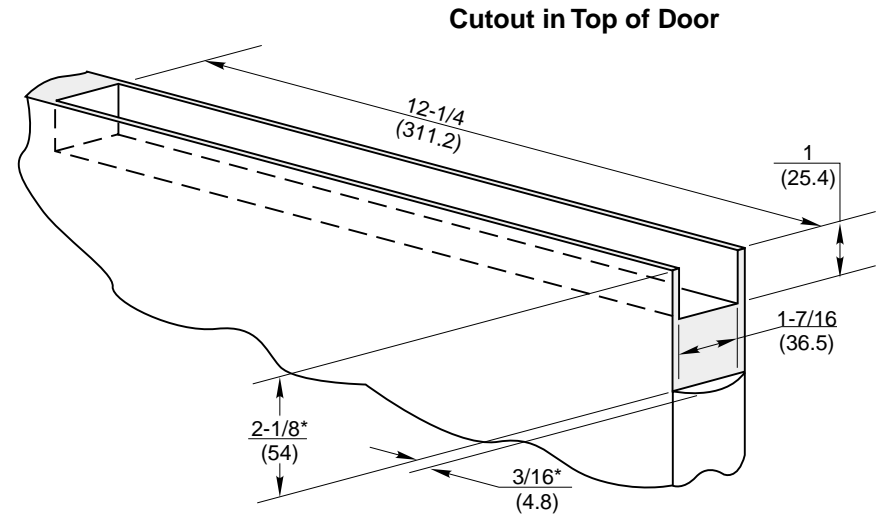
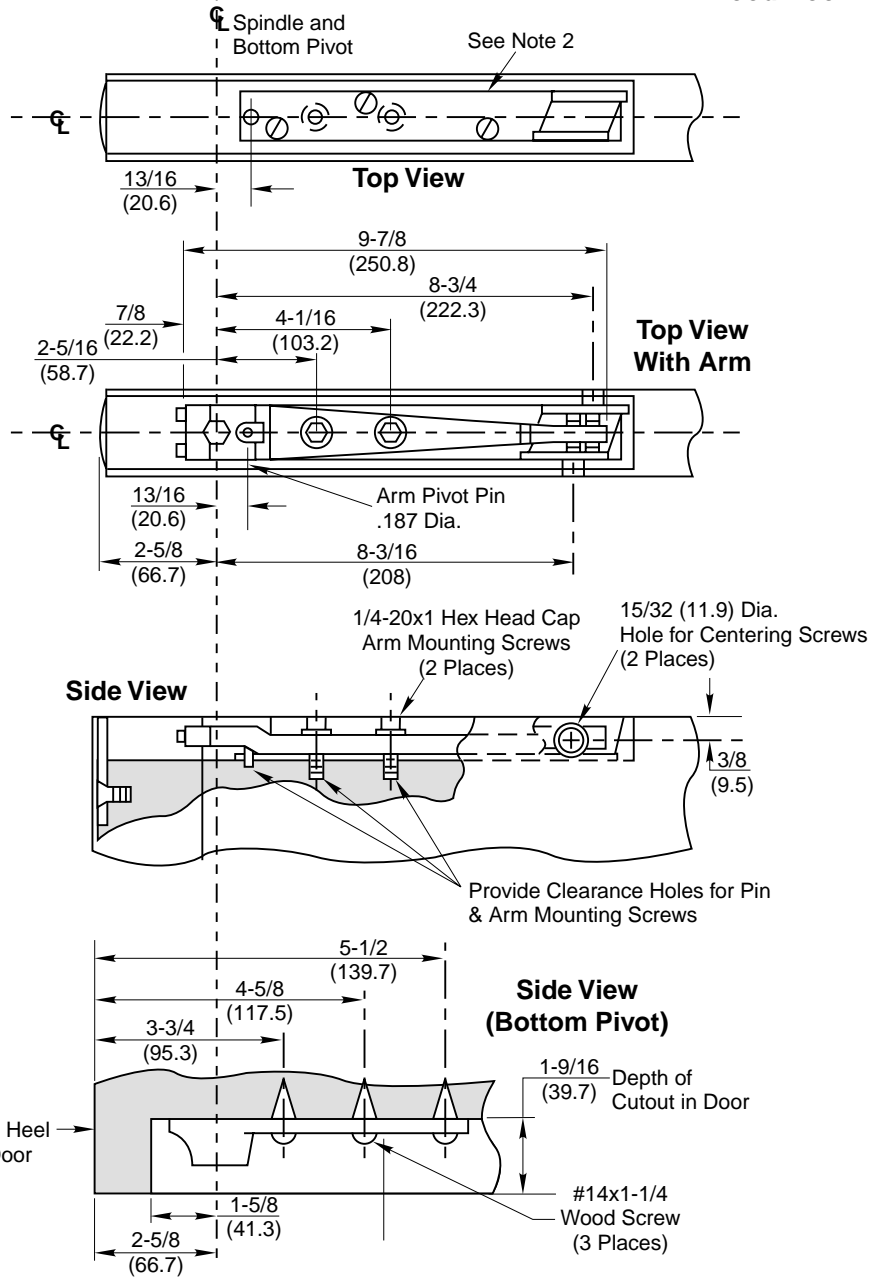


### Wood Door Installation



\* Mortise only when end cap is specified. See Note 3.

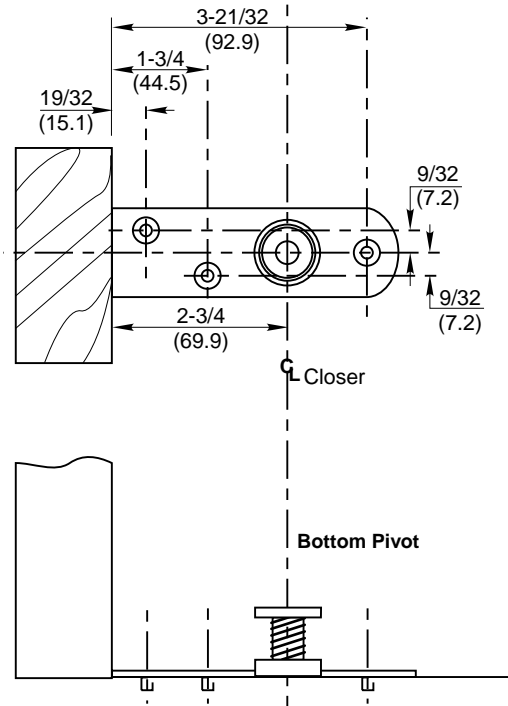
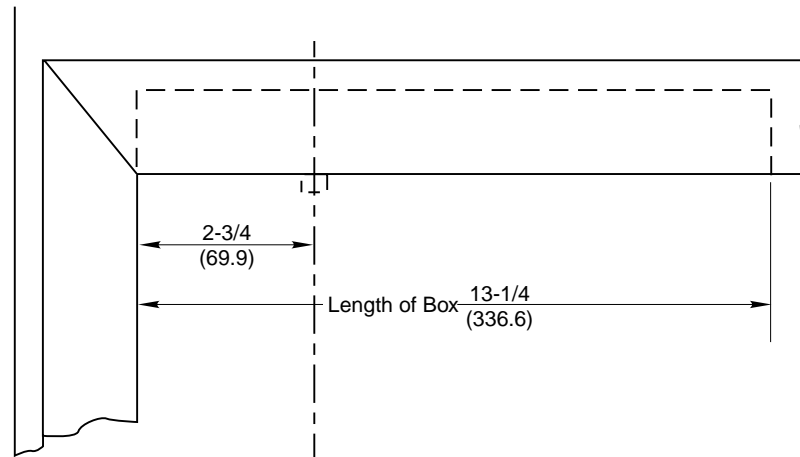
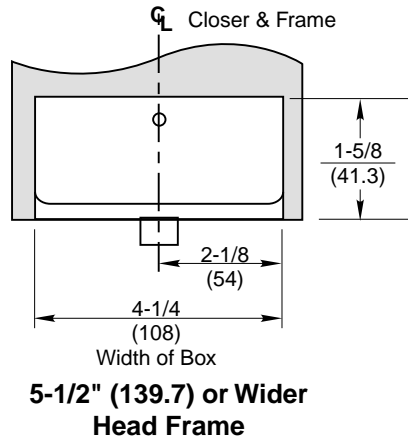
**NOTES:**

1. Do not scale drawing.
2. Arm plate used with arm on wood doors. Attach with #14x1-1/4" FHWS.
3. No. 199 door end caps optional extra; mortise for top and bottom of door is identical.
4. Door radius recommended is 2-5/8" (66.7).
5. All dimensions given in inches (mm).

## W608 Series Overhead Concealed Door Closer Center Pivot

<b>RIXSON™</b>	
<b>Rixson Specialty Door Controls</b>	
<a href="http://www.rixson.com">www.rixson.com</a>	
TEMPLATE NUMBER	DATE
<b>OC60450A</b>	<b>1-06</b>

### WOOD JAMB INSTALLATION



**NOTES:**

1. Do not scale drawing.
2. Arm plate used with arm on wood doors. Attach with #14 x 1-1/2" FHWS
3. Door radius recommended 2-5/8" (66.7).
4. All dimensions given in inches (mm).

**W608 Series  
Overhead Concealed Door Closer  
Center Pivot**

<b>RIXSON™</b>	
<b>Rixson Specialty Door Controls</b>	
<a href="http://www.rixson.com">www.rixson.com</a>	
TEMPLATE NUMBER	DATE
<b>OC60450B</b>	<b>1-06</b>