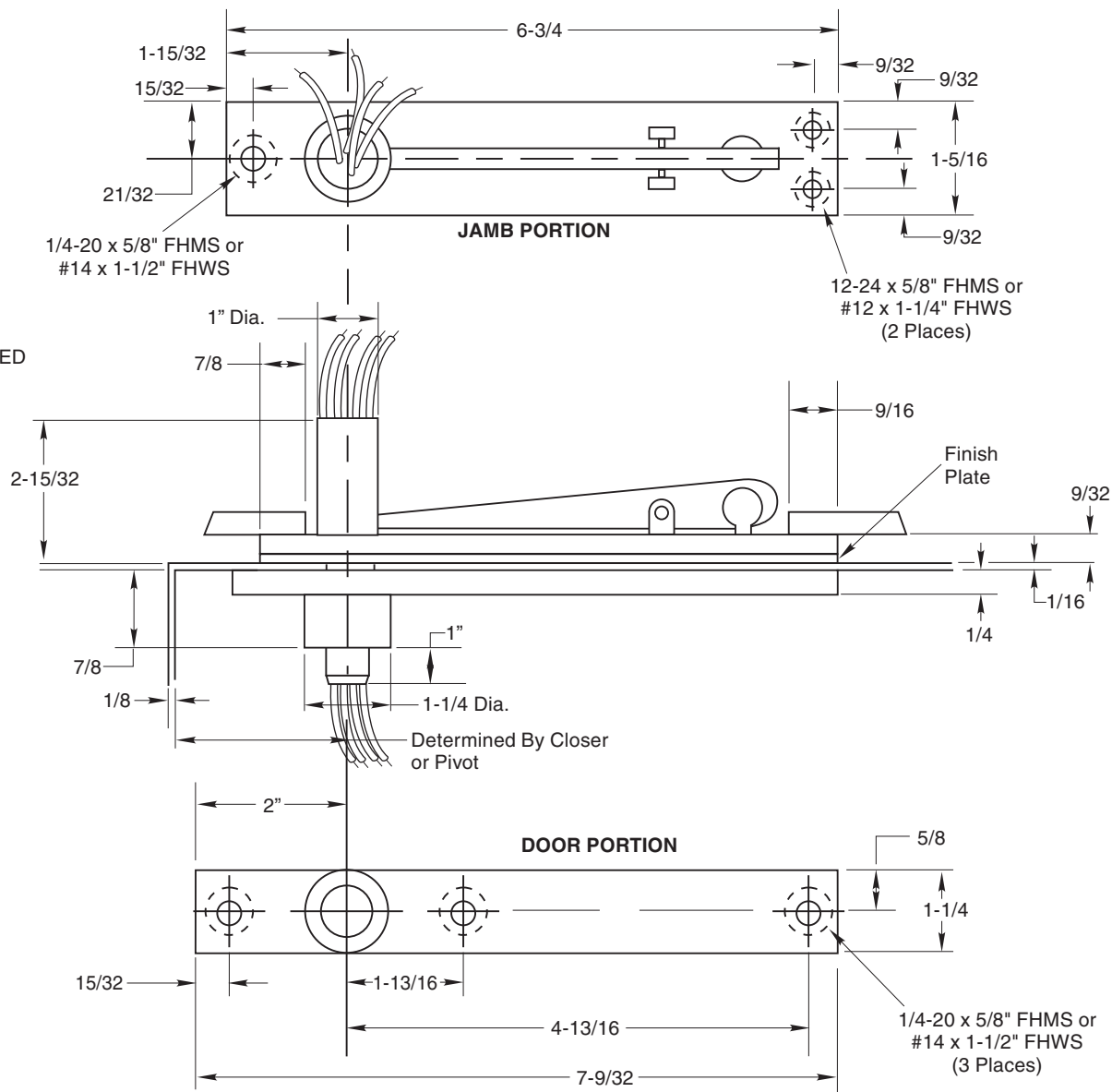


**Notes:**

1. Do not scale drawing.
2. All dimensions are in inches. Conversion to metric = inch x 25.4.
3. **Electrical Ratings:** Two types of wiring are offered:
  - Specify EH345-2 for two-wire #18 AWG circuits, rated 3 amps continuous. Low voltage only.
  - Specify EH345-4 for four-wire #24 AWG circuits, rated 2 amps continuous. Low voltage only.

**EH345 TOP PIVOT  
PIVOT SHOWN ENGAGED**



**Electrified Center Hung Top Pivot for Power Transfer  
EH345**

**RIXSON®**

**ASSA ABLOY**

www.rixson.com

TEMPLATE NUMBER

**TP40252**

DATE

**07-09**